



Abbey Owner's Service Handbook



Caravan Details

IMPORTANT Enter all your caravan details on this page (see specification in rear of this handbook).

Model
Model Year
Chassis Number
Key Number
Hitch/Steady Lock Key Number
Internal Length
Overall Length
Overall Width
Maximum External Height
Mass in Running Order
User Payload
Maximum Technical Permissible Laden Mass
Nose Weight
Awning Size
Tyre Pressures/Size

Supplied and Pre-delivery Inspection by:
--

Service History	
Signed/Dealer	Date



CONTENTS

Annual Service/Inspection Record	2
Warranty.....	5
Specifications.....	6
Wiring Diagrams – Road Lights	10
Wiring Diagrams – Internal Wiring	12
Bulb Replacement	15
Change of Ownership	

TOURING CARAVANS - ANNUAL SERVICE/INSPECTION RECORD

In order to comply with the warranty, you must have your caravan inspected and serviced by an authorised appointed Swift Group Dealer at least once per year.

It is important that the Owner's Handbook is stamped on the appropriate page by the appointed Swift Group Servicing Dealer. Failure to do this will invalidate the warranty and the transfer of the warranty on the change of ownership.

The inspection should take approximately two to four hours and will cover the areas dealt with in the annual service check list. Any areas requiring service and/or maintenance will be highlighted by your dealer and we recommend that you authorise any necessary work to be carried out.

NB. It is essential, to validate the warranty, that an annual inspection be carried out by an appointed Swift Group Dealer covering the items listed.

1. Damp and lamination test.
2. Coupling head and breakaway cable.
3. Jockey wheel.
4. Chassis and chassis to body security.
5. Corner steadies.
6. Folding step (if fitted).
7. Tyres and tyre pressures.
8. Torque wheel nuts.
9. Brake rods and linkages.
10. Hub bearings, brakes and brake shoes.
11. Handbrake operation and performance.
12. Suspension and shock absorbers (if fitted).
13. 12N and 12S 7-pin plugs and cables.
14. Road lights, wiring and reflectors.
15. Internal lights and 12V DC system.
16. Water heater - gas and 240V AC (if fitted).
17. Hob, grill and oven (if fitted).
18. Refrigerator 240V AC, 12V DC and gas.
19. Gas system.
20. Water pump, taps and water system.
21. Mains 240V AC system.
22. Windows and fittings.
23. Smoke alarm and battery.
24. Roof lights.
25. Furniture hinges/stays etc.
26. Exterior locks and hinges.
27. Grab handle security.
28. All internal vents.
29. Oil seals.
30. Blinds and fly screens (if fitted).

ANNUAL SERVICE/INSPECTION RECORD

CARAVAN MODEL _____ YEAR _____

CHASSIS NUMBER _____

<p>1st SERVICE</p> <p>DATE:</p> <p>DEALER'S STAMP</p> <p>We certify that an annual service has been carried out in accordance with the handbook.</p>	<p>2nd SERVICE</p> <p>DATE:</p> <p>DEALER'S STAMP</p> <p>We certify that an annual service has been carried out in accordance with the handbook.</p>
<p>3rd SERVICE</p> <p>DATE:</p> <p>DEALER'S STAMP</p> <p>We certify that an annual service has been carried out in accordance with the handbook.</p>	<p>4th SERVICE</p> <p>DATE:</p> <p>DEALER'S STAMP</p> <p>We certify that an annual service has been carried out in accordance with the handbook.</p>

5th SERVICE

DATE:

DEALER'S STAMP

We certify that an annual service has been carried out in accordance with the handbook.

6th SERVICE

DATE:

DEALER'S STAMP

We certify that an annual service has been carried out in accordance with the handbook.

7th SERVICE

DATE:

DEALER'S STAMP

We certify that an annual service has been carried out in accordance with the handbook.

8th SERVICE

DATE:

DEALER'S STAMP

We certify that an annual service has been carried out in accordance with the handbook.

9th SERVICE

DATE:

DEALER'S STAMP

We certify that an annual service has been carried out in accordance with the handbook.

10th SERVICE

DATE:

DEALER'S STAMP

We certify that an annual service has been carried out in accordance with the handbook.

All the illustrations and descriptive matter in this handbook are intended to give a general idea of the caravan. Changing market and supply situations and our policy of continuous product development may prevent us from maintaining the exact specifications detailed in this handbook. We therefore reserve the right to alter specifications as materials and conditions demand.

Dealers are not agents of Swift Group Limited, the manufacturer of Swift Group Caravans, and have absolutely no authority to bind the manufacturer by any express or implied undertaking or representation.

All caravans have a 12 month warranty from the date of purchase (or hire purchase). This covers faults arising from a manufacturing defect but not those which are a result of normal wear and tear. The manufacturer will honour the warranty for up to 60 days after the end of the 12 months to enable the first chargeable annual service to be carried out and the SuperSure extended warranty (see below) to commence.

The warranty will be invalidated if the caravan has been neglected, misused, modified or used for hire or reward. The caravan will be deemed to have been neglected if it has not been serviced and maintained as stated in this handbook.

Every owner of a new caravan benefits automatically from the SuperSure extended warranty covering the caravan for years 2 and 3 from the date of purchase. The detailed terms of the extended warranty are set out in the separate SuperSure policy document.

Your dealer should register you for cover under the SuperSure extended warranty at the time your new caravan is handed over to you. It is important to check this registration has been completed to confirm that the caravan is registered under the SuperSure Extended Warranty Scheme for years 2 & 3.

The cost of transporting, towing or moving the caravan by any means to or from the place of repair is the responsibility of the owner.

The benefit of this warranty may be transferred to a new owner if the caravan is sold, provided that the caravan has been serviced by an authorised dealer in accordance with the requirements of this handbook, and details of the change of ownership have been supplied to Swift using the change of ownership form set out in this handbook. Failure to notify Swift of a change of ownership within 14 days of such change will invalidate the warranty.

The benefit of the SuperSure extended warranty may be transferred to a new owner if the caravan is sold in accordance with the procedure detailed in the separate SuperSure policy document.

This warranty only applies to caravans purchased in the UK.

The above conditions in no way affect your statutory rights in respect of the caravan.

Specifications

COUNTY RANGE	Lincoln	Dorset	Cambridge	Lancaster	Stafford	Warwick	Oxford
Berths	2	2	4	4	5	5	4
Internal Length (At bed box height)	3.94m/12'11"	4.61m/15'2"	4.70m/15'5"	5.03m/16'6"	5.03m/16'6"	5.03m/16'6"	5.23m/17'2"
Overall Width	2.14m/7'0"	2.14m/7'0"	2.14m/7'0"	2.14m/7'0"	2.14m/7'0"	2.14m/7'0"	2.14m/7'0"
Overall Height (Including TV aerial)	2.71m/8'11"	2.71m/8'11"	2.71m/8'11"	2.71m/8'11"	2.71m/8'11"	2.71m/8'11"	2.71m/8'11"
Overall Length	5.39m/17'8"	6.06m/19'11"	6.15m/20'2"	6.48m/21'3"	6.48m/21'3"	6.48m/21'3"	6.68m/21'11"
Mass in Running Order (Inc. 3% tolerance)	824kg/16.5cwt	935kg/18.4cwt	935kg/18.4cwt*	1016kg/20.0cwt	1030kg/20.3cwt	1022kg/20.1cwt	1040kg/20.5cwt
Essential Habitation Equipment Payload	88kg/1.7cwt	80kg/1.6cwt	80kg/1.6cwt	80kg/1.6cwt	88kg/1.7cwt	88kg/1.7cwt	80kg/1.6cwt
Personal Effects Payload	96kg/1.9cwt	103kg/2.0cwt	124kg/2.4cwt	127kg/2.5cwt	137kg/2.7cwt	137kg/2.7cwt	129kg/2.5cwt
Optional Equipment	34kg/0.7cwt	32kg/0.6cwt	31kg/0.6cwt	37kg/0.7cwt	35kg/0.7cwt	33kg/0.6cwt	31kg/0.6cwt
Maximum Technical Permissible Laden Mass (Declared)	1060kg/20.9cwt	1150kg/22.6cwt	1170kg/23.0cwt	1260kg/24.8cwt	1290kg/25.4cwt	1280kg/25.2cwt	1280kg/25.2cwt
Maximum Technical Permissible Laden Mass (Possible)	1060kg/20.9cwt	1230kg/24.2cwt	1230kg/24.2cwt	1340kg/26.4cwt	1340kg/26.4cwt	1340kg/26.4cwt	1340kg/26.4cwt
Awning A/A Dimension	8.18m/26'10"	8.85m/29'0"	8.94m/29'4"	9.27m/30'5"	9.27m/30'5"	9.27m/30'5"	9.47m/31'1"
Tyre Size	185/70 R13 86	165R13 91R	165R13 91R	175R13 94N	175R13 94N	175R13 94N	175R13 94N
Tyre Pressure at Declared MTPLM	36 psi	52 psi	52 psi	50 psi	50 psi	50 psi	50 psi
Tyre Pressure at Possible MTPLM	36 psi	54 psi	54 psi	54 psi	54 psi	54 psi	54 psi
Static Load on Coupling Head	100kg	100kg	100kg	100kg	100kg	100kg	100kg
Thermal Insulation and Heating Grade	Grade 2	Grade 2	Grade 2	Grade 2	Grade 2	Grade 2	Grade 2
Bed Sizes							
Front Double (With chest in place where applicable)	201cm x 145cm 6'7" x 4'9"	201cm x 136cm 6'7" x 4'6"	201cm x 137cm 6'7" x 4'6"	201cm x 152cm 6'7" x 5'0"	201cm x 145cm 6'7" x 4'9"	201cm x 137cm 6'7" x 4'6"	201cm x 136cm 6'7" x 4'6"
One Single	192cm x 66cm 6'4" x 2'2"	183cm x 66cm 6'0" x 2'2"	-	-	192cm x 66cm 6'4" x 2'2"	-	183cm x 66cm 6'0" x 2'2"
and One Single	192cm x 66cm 6'4" x 2'2"	192cm x 66cm 6'4" x 2'2"	-	-	192cm x 66cm 6'4" x 2'2"	-	192cm x 66cm 6'4" x 2'2"
Rear Double	-	-	-	-	201cm x 119cm 6'7" x 3'11"	201cm x 119cm 6'7" x 3'11"	-
Rear Bunk	-	-	-	-	201cm x 56cm 6'7" x 1'10"	201cm x 56cm 6'7" x 1'10"	-
Side Single	-	-	180cm x 66cm 5'11" x 2'2"	180cm x 66cm 5'11" x 2'2"	-	-	180cm x 66cm 5'11" x 2'2"
Side Bunk	-	-	172cm x 58cm 5'8" x 1'11"	172cm x 58cm 5'8" x 1'11"	-	-	172cm x 58cm 5'8" x 1'11"
Front L Option	201cm x 137cm 6'7" x 4'6"	201cm x 137cm 6'7" x 4'6"	-	-	201cm x 137cm 6'7" x 4'6"	-	201cm x 137cm 6'7" x 4'6"
Front P Option	-	-	-	201cm x 152cm 6'7" x 5'0"	-	201cm x 145cm 6'7" x 4'9"	-
Front Wrap Round Option	201cm x 192cm 6'7" x 6'4"	201cm x 183cm 6'7" x 6'0"	-	-	201cm x 192cm 6'7" x 6'4"	201cm x 192cm 6'7" x 6'4"	201cm x 183cm 6'7" x 6'0"

*Estimated weight

Specifications

GTS VOGUE RANGE	212	215	216	217	415	416	417	516	517
Berths	2	2	2	2	4	4	4	5	5
Internal Length (At bed box height)	3.97m/13'0"	4.70m/15'5"	4.70m/15'5"	4.70m/15'5"	5.09m/16'8"	5.23m/17'2"	5.23m/17'2"	5.30m/17'5"	5.30m/17'5"
Overall Width	2.16m/7'1"	2.16m/7'1"	2.16m/7'1"	2.16m/7'1"	2.23m/7'4"	2.16m/7'1"	2.16m/7'1"	2.16m/7'1"	2.16m/7'1"
Overall Height (Including TV aerial)	2.75m/9'0"	2.75m/9'0"	2.75m/9'0"	2.75m/9'0"	2.75m/9'0"	2.75m/9'0"	2.75m/9'0"	2.76m/9'1"	2.76m/9'1"
Overall Length	5.52m/18'1"	6.25m/20'6"	6.25m/20'6"	6.25m/20'6"	6.63m/21'9"	6.78m/22'3"	6.78m/22'3"	6.85m/22'6"	6.85m/22'6"
Mass in Running Order (Inc. 3% tolerance)	932kg/18.3cwt*	1036kg/20.4cwt	1036kg/20.4cwt	1032kg/20.3cwt	1090kg/21.4cwt*	1100kg/21.7cwt	1100kg/21.7cwt	1173kg/23.1cwt*	1173kg/23.1cwt*
Essential Habitation Equipment Payload	88kg/1.7cwt	80kg/1.6cwt	80kg/1.6cwt	80kg/1.6cwt	80kg/1.6cwt	80kg/1.6cwt	80kg/1.6cwt	88kg/1.7cwt	88kg/1.7cwt
Personal Effects Payload	97kg/1.9cwt	105kg/2.1cwt	105kg/2.1cwt	105kg/2.1cwt	128kg/2.5cwt	130kg/2.6cwt	130kg/2.6cwt	141kg/2.8cwt	141kg/2.8cwt
Optional Equipment	33kg/0.6cwt	39kg/0.8cwt	39kg/0.8cwt	43kg/0.8cwt	32kg/0.6cwt	30kg/0.6cwt	28kg/0.6cwt	38kg/0.7cwt	38kg/0.7cwt
Maximum Technical Permissible Laden Mass (Declared)	1150kg/22.6cwt	1260kg/24.8cwt	1260kg/24.8cwt	1260kg/24.8cwt	1330kg/26.2cwt	1340kg/26.4cwt	1340kg/26.4cwt	1440kg/28.3cwt	1440kg/28.3cwt
Maximum Technical Permissible Laden Mass (Possible)	1230kg/24.2cwt	1340kg/26.4cwt	1340kg/26.4cwt	1340kg/26.4cwt	1340kg/26.4cwt	1340kg/26.4cwt	1340kg/26.4cwt	1500kg/29.5cwt	1500kg/29.5cwt
Awning A/A Dimension	8.21m/26'11"	8.94m/29'4"	8.94m/29'4"	8.94m/29'4"	9.32m/30'7"	9.47m/31'1"	9.47m/31'1"	9.54m/31'4"	9.54m/31'4"
Tyre Size	165 R13 91R	175 R13 94N	175 R13 94N	175 R13 94N	175 R13 94N	175 R13 94N	175 R13 94N	175 R14 5stud 99	175 R14 5stud 99
Tyre Pressure at Declared MTPLM	52 psi	50 psi	50 psi	50 psi	54 psi	54 psi	54 psi	60 psi	60 psi
Tyre Pressure at Possible MTPLM	54 psi	54 psi	54 psi	54 psi	54 psi	54 psi	54 psi	63 psi	63 psi
Static Load on Coupling Head	100kg	100kg	100kg	100kg	100kg	100kg	100kg	100kg	100kg
Thermal Insulation and Heating Grade	Grade 2	Grade 2	Grade 2	Grade 2	Grade 2	Grade 2	Grade 2	Grade 2	Grade 2
Bed Sizes									
Front Double (With chest in place where applicable)	201cm x 145cm 6'7" x 4'9"	201cm x 145cm 6'7" x 4'9"	201cm x 145cm 6'7" x 4'9"	201cm x 137cm 6'7" x 4'6"	205cm x 113cm 6'9" x 3'8"	201cm x 136cm 6'7" x 4'6"	201cm x 136cm 6'7" x 4'6"	201cm x 1456cm 6'7" x 4'9"	201cm x 137cm 6'7" x 4'6"
One Single	192cm x 66cm 6'4" x 2'2"	192cm x 66cm 6'4" x 2'2"	192cm x 66cm 6'4" x 2'2"	188cm x 66cm 6'2" x 2'2"	-	183cm x 66cm 6'0" x 2'2"	183cm x 66cm 6'0" x 2'2"	192cm x 66cm 6'4" x 2'2"	192cm x 66cm 6'4" x 2'2"
and One Single	192cm x 66cm 6'4" x 2'2"	192cm x 66cm 6'4" x 2'2"	192cm x 66cm 6'4" x 2'2"	201cm x 66cm 6'7" x 2'2"	-	192cm x 66cm 6'4" x 2'2"	192cm x 66cm 6'4" x 2'2"	192cm x 66cm 6'4" x 2'2"	192cm x 66cm 6'4" x 2'2"
Rear Double	-	-	-	-	190cm x 137cm 6'3" x 4'6"	-	-	201cm x 137cm 6'7" x 4'6"	201cm x 137cm 6'7" x 4'6"
Rear Bunk	-	-	-	-	-	-	-	201cm x 58cm 6'7" x 1'11"	201cm x 58cm 6'7" x 1'11"
Side Single	-	-	-	-	-	180cm x 66cm 5'11" x 2'2"	180cm x 66cm 5'11" x 2'2"	-	-
Side Bunk	-	-	-	-	-	172cm x 58cm 5'8" x 1'11"	172cm x 58cm 5'8" x 1'11"	-	-
Front L Option	201cm x 137cm 6'7" x 4'6"	201cm x 137cm 6'7" x 4'6"	201cm x 137cm 6'7" x 4'6"	-	-	201cm x 137cm 6'7" x 4'6"	201cm x 137cm 6'7" x 4'6"	201cm x 137cm 6'7" x 4'6"	-
Front P Option	-	-	-	-	-	-	-	-	201cm x 145cm 6'7" x 4'9"
Front Wrap Round Option	201cm x 192cm 6'7" x 6'4"	201cm x 192cm 6'7" x 6'4"	201cm x 192cm 6'7" x 6'4"	-	-	201cm x 183cm 6'7" x 6'0"	201cm x 183cm 6'7" x 6'0"	201cm x 192cm 6'7" x 6'4"	201cm x 192cm 6'7" x 6'4"

*Estimated weight

Specifications

SPECTRUM RANGE	418	419	420	520	540	620
Berths	4	4	4	5	4	4 opt 6
Internal Length (At bed box height)	5.85m/19'2"	5.85m/19'2"	6.35m/20'10"	6.35m/20'10"	6.35m/20'10"	6.35m/20'10"
Overall Width	2.23m/7'4"	2.23m/7'4"	2.23m/7'4"	2.23m/7'4"	2.23m/7'4"	2.23m/7'4"
Overall Height (Including TV aerial)	2.78m/9'1"	2.78m/9'1"	2.78m/9'1"	2.78m/9'1"	2.78m/9'1"	2.78m/9'1"
Overall Length	7.40m/24'3"	7.40m/24'3"	7.90m/25'11"	7.90m/25'11"	7.90m/25'11"	7.90m/25'11"
Mass in Running Order (Inc. 3% tolerance)	1303kg/25.6cwt	1308kg/25.7cwt*	1421kg/28.0cwt	1432kg/28.2cwt	1437kg/28.3cwt*	1406kg/27.7cwt
Essential Habitation Equipment Payload	113kg/2.2cwt	113kg/2.2cwt	121kg/2.4cwt	113kg/2.2cwt	113kg/2.2cwt	121kg/2.4cwt
Personal Effects Payload	136kg/2.7cwt	136kg/2.7cwt	141kg/2.8cwt	151kg/3.0cwt	141kg/2.8cwt	161kg/3.2cwt
Optional Equipment	43kg/0.8cwt	38kg/0.7cwt	37kg/0.7cwt	34kg/0.7cwt	49kg/1.0cwt	52kg/1.0cwt
Maximum Technical Permissible Laden Mass (Declared)	1595kg/31.4cwt	1595kg/31.4cwt	1720kg/33.9cwt	1730kg/34.1cwt	1740kg/34.3cwt	1740kg/34.3cwt
Maximum Technical Permissible Laden Mass (Possible)	1650kg/32.5cwt	1650kg/32.5cwt	1750kg/34.4cwt	1750kg/34.4cwt	1750kg/34.4cwt	1750kg/34.4cwt
Awning A/A Dimension	10.05m/33'0"	10.05m/33'0"	10.55m/34'7"	10.55m/34'7"	10.55m/34'7"	10.55m/34'7"
Tyre Size	155R13 78	155R13 78	165R13 83T	165R13 83T	165R13 83T	165R13 83T
Tyre Pressure at Declared MTPLM	32 psi	32 psi	33 psi	33 psi	33 psi	33 psi
Tyre Pressure at Possible MTPLM	32 psi	32 psi	33 psi	33 psi	33 psi	33 psi
Static Load on Coupling Head	100kg	100kg	100kg	100kg	100kg	100kg
Thermal Insulation and Heating Grade	Grade 2	Grade 2	Grade 2	Grade 2	Grade 2	Grade 2
Bed Sizes						
Front Double (With chest in place where applicable)	201cm x 145cm 6'7" x 4'9"	201cm x 145cm 6'7" x 4'9"	201cm x 145cm 6'7" x 4'9"	201cm x 145cm 6'7" x 4'9"	201cm x 136cm 6'7" x 4'6"	201cm x 137cm 6'7" x 4'6"
or One Single	192cm x 68cm and 6'4" x 2'3"	192cm x 68cm 6'4" x 2'3"	192cm x 68cm 6'4" x 2'3"	192cm x 68cm 6'4" x 2'3"	183cm x 68cm 6'4" x 2'3"	-
One Single	192cm x 68cm 6'4" x 2'3"	192cm x 68cm 6'4" x 2'3"	192cm x 68cm 6'4" x 2'3"	192cm x 68cm 6'4" x 2'3"	192cm x 68cm 6'4" x 2'3"	-
Rear Double	-	-	-	193cm x 137cm 6'4" x 4'6"	190cm x 137cm 6'3" x 4'6"	201cm x 137cm 6'7" x 4'6"
Rear Bunk	-	-	-	193cm x 58cm 6'4" x 1'11"	-	-
Side Single (o/s)	180cm x 68cm 5'11" x 2'3"	180cm x 68cm 5'11" x 2'3"	-	-	-	177cm x 68cm 5'10" x 2'3"
Side Single (n/s)	-	-	-	-	-	177cm x 68cm 5'10" x 2'3"
Side Bunk	172cm x 58cm 5'8" x 1'11"	172cm x 58cm 5'8" x 1'11"	-	-	-	-
Side Double	-	-	180cm x 122cm 5'11" x 4'0"	-	-	-
Opt Bunk (o/s)	-	-	-	-	-	172cm x 58cm 5'8" x 1'11"
Opt Bunk (n/s)	-	-	-	-	-	172cm x 58cm 5'8" x 1'11"
Front L Option	201cm x 137cm 6'7" x 4'6"	201cm x 137cm 6'7" x 4'6"	201cm x 137cm 6'7" x 4'6"	201cm x 137cm 6'7" x 4'6"	-	-
Front P Option	-	-	-	-	-	201cm x 145cm 6'7" x 4'9"
Front Wrap Round Option	201cm x 192cm 6'7" x 6'4"	201cm x 192cm 6'7" x 6'4"	201cm x 192cm 6'7" x 6'4"	201cm x 192cm 6'7" x 6'4"	201cm x 183cm 6'7" x 6'0"	-

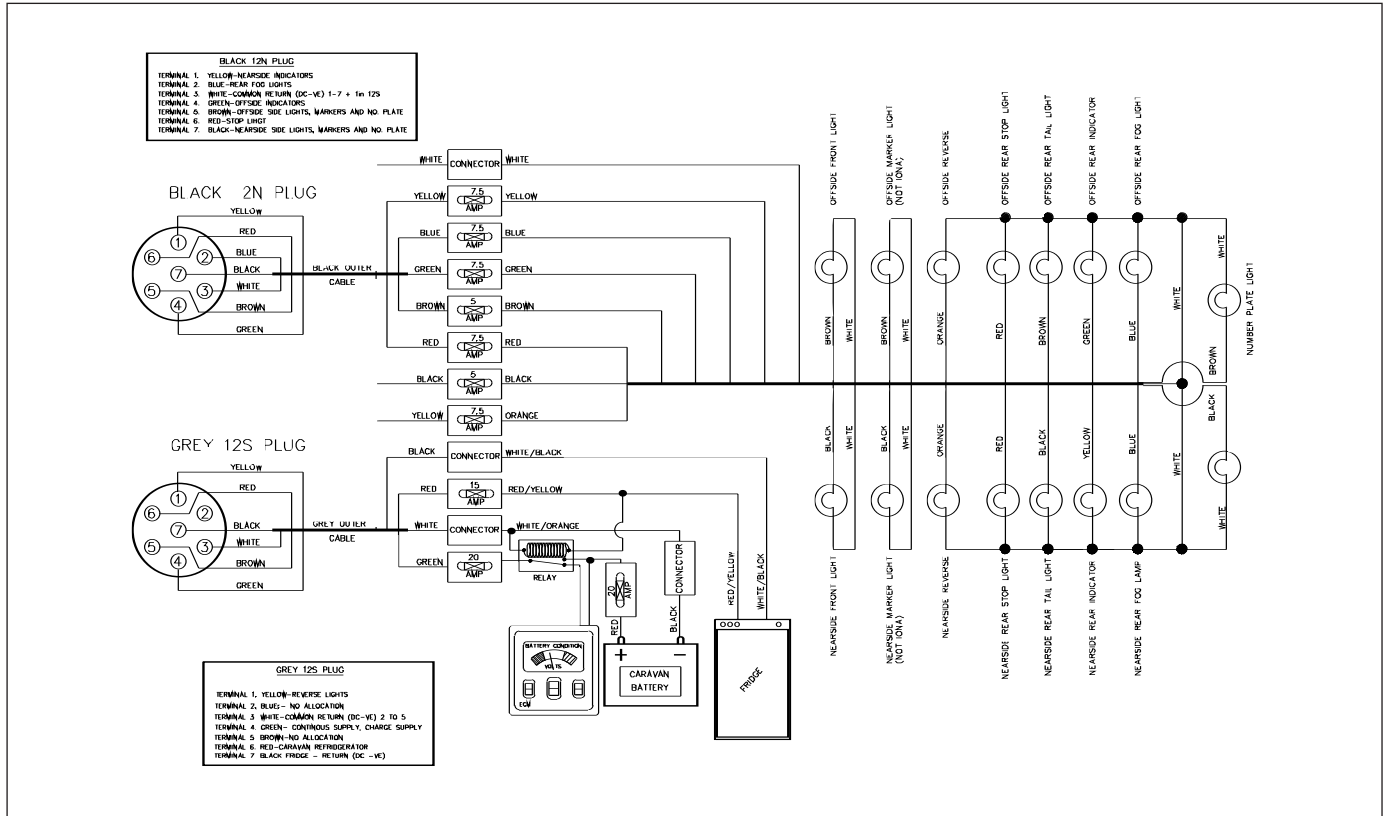
*Estimated weight

Specifications

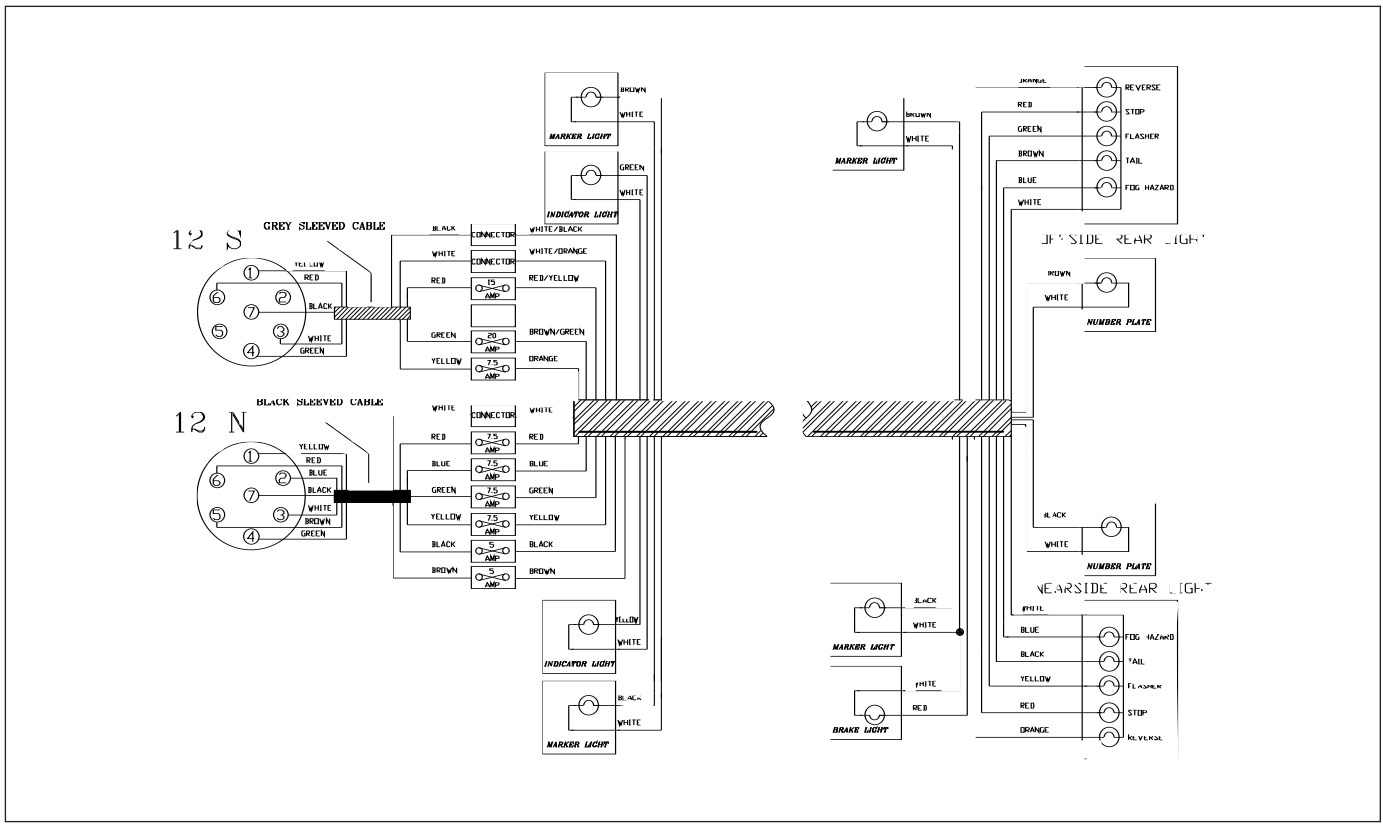
IONA VOGUE RANGE	Iona Vogue						
Berths	2						
Internal Length (At bed box height)	3.55m/11'8"						
Overall Width	1.99m/6'6"						
Overall Height (Including TV aerial)	2.71m/8'11"						
Overall Length	5.04m/16'6"						
Mass in Running Order (Inc. 3% tolerance)	779kg/15.3cwt						
Essential Habitation Equipment Payload	88kg/1.7cwt						
Personal Effects Payload	92kg/1.8cwt						
Optional Equipment	26kg/0.5cwt						
Maximum Technical Permissible Laden Mass (Declared)	985kg/19.4cwt						
Maximum Technical Permissible Laden Mass (Possible)	1000kg/19.7cwt						
Awning A/A Dimension	7.73m/25'4"						
Tyre Size	185/70 R13 86						
Tyre Pressure at Declared MTPLM	36 psi						
Tyre Pressure at Possible MTPLM	36 psi						
Static Load on Coupling Head	75kg						
Thermal Insulation and Heating Grade	Grade 2						
Bed Sizes							
Front Double (With chest removed).	185cm x 180cm 6'1" x 5'11"						
or Two Singles	180cm x 61cm 5'11" x 2'0"						

Wiring Diagrams

COUNTY & IONA RANGES 2000 - ROAD LIGHTS

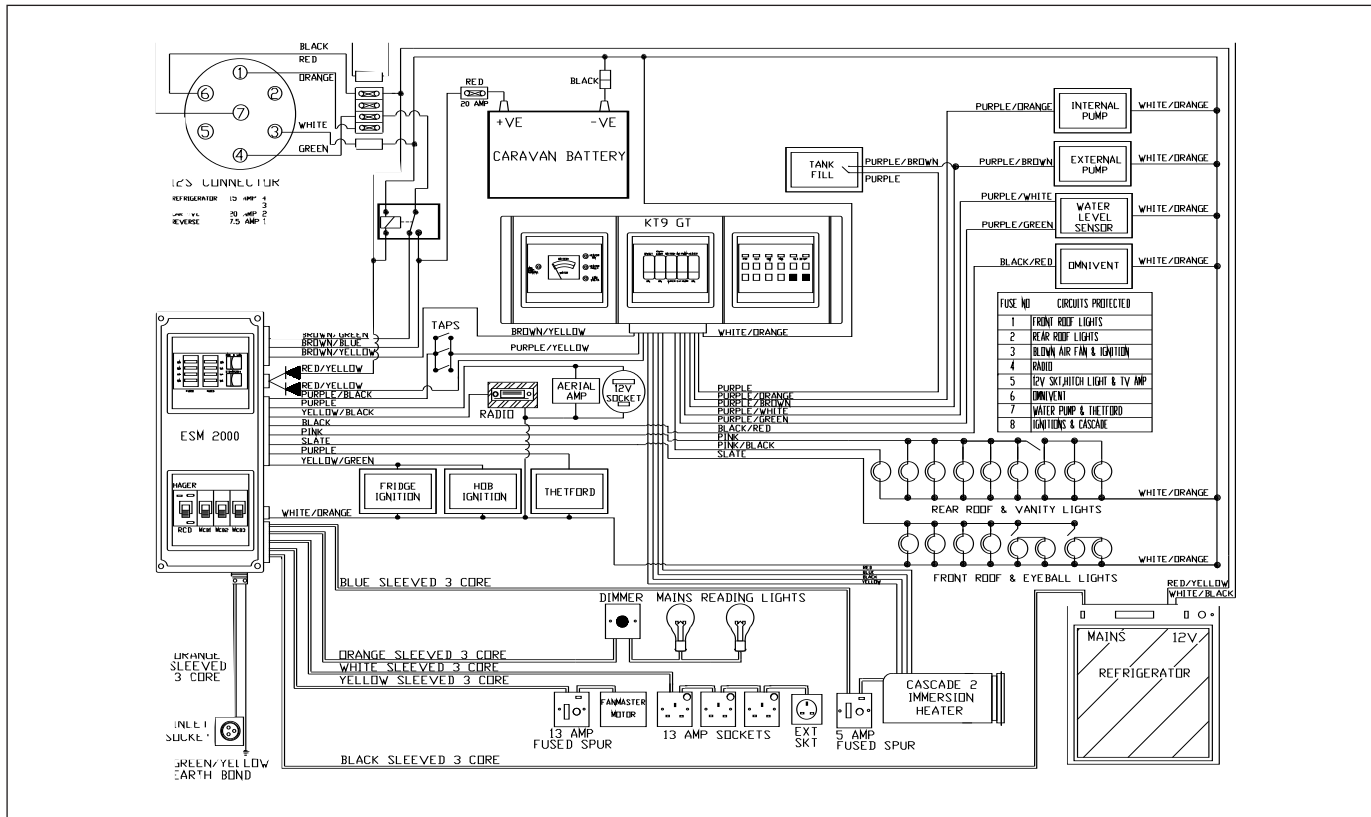


GTS VOGUE & SPECTRUM RANGES 2000 - ROAD LIGHTS



Wiring Diagrams

SPECTRUM RANGE 2000 - 12V AND 230V



Bulb Replacement

	TYPE	POWER	COUNTY	IONA VOGUE	GTS VOGUE	SPECTRUM
ROAD LIGHTS						
Front marker lights	W501	12V 3W	✓	✓	✓	✓
Side marker	F239	12V 5W	✓	✓	✓	✓
Reversing light	L382	12V 21W	✓	✓	✓	✓
Rear indicator light	L382	12V 21W	✓	✓	✓	✓
Brake light	L382	12V 21W	✓	✓		
Brake/Tail light	L380	12V 21W/5W			✓	✓
Fog light	L382	12V 21W			✓	✓
Fog/Tail light	L380	12V 21W/5W	✓	✓		
Number plate light	F239	12V 5W			✓	✓
Number plate light	L245	12V 10W	✓	✓		
Hitch cover light	F239	12V 5W			✓	✓
INTERIOR/OTHER						
Awning	L245	12V 10W	✓	✓	✓	✓
Double and Single roof	Fluorescent 300mm	12V 8W	✓	✓	✓	✓
Round ceiling lights	Halogen Capsule	G4 12V 20W	✓	✓	✓	✓
Round ceiling lights (small)	Halogen Capsule	G4 12V 10W	✓	✓	✓	✓
Kitchen strip light	Fluorescent 300mm	12V 8W	✓	✓	✓	✓
Vanity strip light	Fluorescent 300mm	12V 8W	✓	✓	✓	✓
Vanity down light	Halogen Capsule	G4 12V 5W			✓	✓
Mains reading	Standard Bayonet	240V 40W	✓			
Mains reading	Screw cap	240V 40W		✓	✓	✓
Downlighters	Halogen Capsule	G4 12V 5W			✓	✓
Eyeball Spotlights	L245	12V 10W			✓	✓

Note: Not all lights and bulbs feature on all models within a range

NOTIFICATION OF CHANGE OF OWNERSHIP

If you sell your caravan, please notify the change of ownership by completing this page, detaching it and sending it to:
Swift Group Ltd., Dunswell Road, Cottingham, East Yorkshire, HU16 4JX.

DETAILS OF CARAVAN:	Model:	_____
	Chassis No:	_____
CURRENT OWNER:	Name:	_____
	Address:	_____

NEW OWNER:	Name:	_____
	Address:	_____

Please note that the benefit of any unexpired warranty cannot be transferred to the new owner until the change of ownership details above have been received.



Leaders in Leisure

Abbey Caravans, Dunswell Road, Cottingham, East Yorkshire HU16 4JX.
Tel: 01482 847332 Fax: 01482 840082 e-mail/web site: www.swiftleisure.co.uk

A MEMBER OF THE SWIFT GROUP

Issued September 1999

9830011