

Abbey Owner's Service Handbook



Leaders in Leisure

Caravan Details

IMPORTANT Enter all your caravan details on this page (see specification in rear of this handbook).

Model
Model Year
Chassis Number
Key Number
Hitch/Steady Lock Key Number
Internal Length
Overall Length
Overall Width
Maximum External Height
Mass in Running Order
User Payload
Maximum Technical Permissible Laden Mass
Nose Weight
Awning Size
Tyre Pressures/Size

Supplied and Pre-delivery Inspection by:
--

Service History	
Signed/Dealer	Date



CONTENTS

Annual Service/Inspection Record	2
Warranty.....	5
Specifications.....	6
Wiring Diagrams – Road Lights	10
Wiring Diagrams – Internal Wiring	14
Bulb Replacement	17
Change of Ownership	

TOURING CARAVANS - ANNUAL SERVICE/INSPECTION RECORD

In order to comply with the warranty, you must have your caravan inspected and serviced by an authorised Swift Group Service Centre at least once per year.

It is important that the Owner's Handbook is stamped on the appropriate page by the authorised Swift Group Service Centre. Failure to do this will invalidate the warranty and the transfer of the warranty on the change of ownership.

The inspection should take approximately two to four hours and will cover the areas dealt with in the annual service check list. Any areas requiring service and/or maintenance will be highlighted by your dealer and we recommend that you authorise any necessary work to be carried out.

NB. It is essential, to validate the warranty, that an annual inspection be carried out by an authorised Swift Group Service Centre covering the items listed.

1. Damp and lamination test.
2. Coupling head and breakaway cable.
3. Jockey wheel.
4. Chassis and chassis to body security.
5. Corner steadies.
6. Folding step (if fitted).
7. Tyres and tyre pressures.
8. Torque wheel nuts.
9. Brake rods and linkages.
10. Hub bearings, brakes and brake shoes.
11. Handbrake operation and performance.
12. Suspension and shock absorbers (if fitted).
13. 12N and 12S 7-pin plugs and cables.
14. Road lights, wiring and reflectors.
15. Internal lights and 12V DC system.
16. Water heater - gas and 230V AC (if fitted).
17. Hob, grill and oven (if fitted).
18. Refrigerator 230V AC, 12V DC and gas.
19. Gas system.
20. Water pump, taps and water system.
21. Mains 230V AC system.
22. Windows and fittings.
23. Smoke alarm and battery.
24. Roof lights.
25. Furniture hinges/stays etc.
26. Exterior locks and hinges.
27. Grab handle security.
28. All internal vents.
29. Oil seals.
30. Blinds and fly screens (if fitted).

ANNUAL SERVICE/INSPECTION RECORD

CARAVAN MODEL _____ YEAR _____

CHASSIS NUMBER _____

<p>1st SERVICE</p> <p>DATE:</p> <p>DEALER'S STAMP</p> <p>We certify that an annual service has been carried out in accordance with the handbook.</p>	<p>2nd SERVICE</p> <p>DATE:</p> <p>DEALER'S STAMP</p> <p>We certify that an annual service has been carried out in accordance with the handbook.</p>
<p>3rd SERVICE</p> <p>DATE:</p> <p>DEALER'S STAMP</p> <p>We certify that an annual service has been carried out in accordance with the handbook.</p>	<p>4th SERVICE</p> <p>DATE:</p> <p>DEALER'S STAMP</p> <p>We certify that an annual service has been carried out in accordance with the handbook.</p>

5th SERVICE

DATE:

DEALER'S STAMP

We certify that an annual service has been carried out in accordance with the handbook.

6th SERVICE

DATE:

DEALER'S STAMP

We certify that an annual service has been carried out in accordance with the handbook.

7th SERVICE

DATE:

DEALER'S STAMP

We certify that an annual service has been carried out in accordance with the handbook.

8th SERVICE

DATE:

DEALER'S STAMP

We certify that an annual service has been carried out in accordance with the handbook.

9th SERVICE

DATE:

DEALER'S STAMP

We certify that an annual service has been carried out in accordance with the handbook.

10th SERVICE

DATE:

DEALER'S STAMP

We certify that an annual service has been carried out in accordance with the handbook.

All the illustrations and descriptive matter in this handbook are intended to give a general idea of the caravan. Changing market and supply situations and our policy of continuous product development may prevent us from maintaining the exact specifications detailed in this handbook. We therefore reserve the right to alter specifications as materials and conditions demand.

Dealers are not agents of Swift Group Limited, the manufacturer of Swift Group caravans, and have absolutely no authority to bind the manufacturer by any express or implied undertaking or representation.

All caravans have a 3 year SuperSure warranty from the date of purchase (or hire purchase), which is subject to a chargeable annual service and inspection being carried out at an authorised Swift Group Service Centre.

In the first 12 months this covers faults arising from a manufacturing defect but not those which are a result of normal wear and tear. The manufacturer will honour the warranty until 36 months from the date of sale, and providing that the caravan has been serviced annually within 90 days before or 30 days after the anniversary of the original sale. The third service must, however, be carried out before the expiry of the 36 month period from the original date of sale.

In years two and three the warranty will cover:

- i) All original components of the caravan including permanently fitted equipment forming part of the manufacturer's original specification.
- ii) Water ingress and body delamination.

Specific exclusions to SuperSure warranty:

Tyres, glass, paint, brightwork and all similar trim and finish. Soft furnishings, carpets, floor coverings, work surfaces and all other décor. Window catches, stays and associated fittings. Adjustments of brakes, blinds, hinges, catches, stays and doors. Replacement of bulbs, fluorescent tubes, fuses and electrical connections. Natural movement of internal doors and furniture. Audio equipment. Fair wear and tear.

The warranty will be invalidated if the caravan has been neglected, misused or modified. The warranty on all internal components will be invalidated if the caravan has been used for hire or reward. The caravan will be deemed to have been neglected if it has not been serviced and maintained as stated in this handbook.

The warranty only applies to caravans purchased and used within the UK, and for continuous journeys abroad of no longer than 90 days per journey.

The cost of transporting, towing or moving the caravan by any means to or from the place of repair is the responsibility of the owner.

The benefit of this warranty may be transferred to a new owner if the caravan is sold, provided that the caravan has been serviced by an authorised service centre in accordance with the requirements of this handbook, and details of the change of ownership have been supplied to Swift using the change of ownership form set out in this handbook. Failure to notify Swift of a change of ownership within 14 days of such change will invalidate the warranty.

This warranty only applies to caravans purchased in the UK.

The above conditions in no way affect your statutory rights in respect of the caravan.

Specifications

AVENTURA	312	314	315	316	317	318	320	325
Berths	2	2	2	5	5	4	4	4
Internal Length (bed box height)	3.94m/12'11"	4.61m/15'2"	4.61m/15'2"	5.03m/16'6"	5.03m/16'6"	5.39m/17'8"	5.23m/17'2"	5.23m/17'2"
Overall Width	2.16m/7'1"	2.16m/7'1"	2.16m/7'1"	2.16m/7'1"	2.16m/7'1"	2.23m/7'4"	2.16m/7'1"	2.16m/7'1"
Overall Height (inc. TV Aerial)	2.76m/9'1"	2.76m/9'1"	2.76m/9'1"	2.76m/9'1"	2.76m/9'1"	2.76m/9'1"	2.76m/9'1"	2.76m/9'1"
Overall Length	5.50m/18'1"	6.18m/20'3"	6.18m/20'3"	6.59m/21'8"	6.59m/21'8"	6.96m/22'10"	6.80m/22'4"	6.80m/22'4"
Mass in Running Order (inc. tolerance)	917kg/18.1cwt	999kg/19.7cwt	1016kg/20.0cwt	1092kg/21.5cwt	1089kg/21.4cwt	1184kg/23.3cwt	1118kg/22.0cwt	1115kg/21.9cwt
Essential Habitation Equipment Payload	90kg/1.8cwt	82kg/1.6cwt	82kg/1.6cwt	90kg/1.8cwt	90kg/1.8cwt	82kg/1.6cwt	82kg/1.6cwt	82kg/1.6cwt
Personal Effects Payload	96kg/1.9cwt	103kg/2.0cwt	103kg/2.0cwt	137kg/2.7cwt	137kg/2.7cwt	130kg/2.6cwt	129kg/2.5cwt	129kg/2.5cwt
Optional Equipment Payload	23kg/0.5cwt	23kg/0.5cwt	23kg/0.5cwt	23kg/0.5cwt	23kg/0.5cwt	24kg/0.5cwt	23kg/0.5cwt	23kg/0.5cwt
Maximum Technical Permissible Laden Mass (DECLARED)	1126kg/22.2cwt	1207kg/23.8cwt	1224kg/24.1cwt	1342kg/26.4cwt	1339kg/26.4cwt	1420kg/27.9cwt	1352kg/26.6cwt	1349kg/26.5cwt
Maximum Technical Permissible Laden Mass (POSSIBLE)	1230kg/24.2cwt	1230kg/24.2cwt	1230kg/24.2cwt	1350kg/26.6cwt	1350kg/26.6cwt	1500kg/29.5cwt	1500kg/29.5cwt	1500kg/29.5cwt
Awning A/A dimension	8.18m/26'10"	8.85m/29'1"	8.85m/29'1"	9.27m/30'5"	9.27m/30'5"	9.63m/31'7"	9.47m/31'1"	9.47m/31'1"
Tyre Size	195/70R14 91	195/70R14 91	195/70R14 91	195/70R14 95	195/70R14 95	175R14 99	175R14 99	175R14 99
Tyre pressure at DECLARED MTPLM	33psi	36psi	36psi	42psi	42psi	59psi	59psi	59psi
Tyre pressure at POSSIBLE MTPLM	36psi	36psi	36psi	42psi	42psi	65psi	65psi	65psi
Static Load on Coupling Head	100kg	100kg	100kg	100kg	100kg	100kg	100kg	100kg
Thermal Insulation & Heating Grade	TWO	TWO	TWO	TWO	TWO	TWO	TWO	TWO
Bed Sizes								
Front Double	204cm x 190cm 6'8" x 6'3"	204cm x 139cm 6'8" x 4'7"	204cm x 190cm 6'8" x 6'3"	204cm x 190cm 6'8" x 6'3"	204cm x 190cm 6'8" x 6'3"	208cm x 167cm 6'10" x 5'6"	204cm x 180cm 6'8" x 5'11"	204cm x 139cm 6'8" x 4'7"
or One Single	190cm x 67cm 6'3" x 2'2"	190cm x 67cm 6'3" x 2'2"	190cm x 67cm 6'3" x 2'2"	190cm x 67cm 6'3" x 2'2"	190cm x 67cm 6'3" x 2'2"	190cm x 71cm 6'3" x 2'4"	190cm x 67cm 6'3" x 2'2"	190cm x 67cm 6'3" x 2'2"
and One Single	190cm x 67cm 6'3" x 2'2"	190cm x 71cm 6'3" x 2'4"	190cm x 67cm 6'3" x 2'2"	190cm x 67cm 6'3" x 2'2"	190cm x 67cm 6'3" x 2'2"	167cm x 71cm 5'6" x 2'4"	180cm x 67cm 5'11" x 2'2"	190cm x 71cm 6'3" x 2'4"
Rear Double				204cm x 119cm 6'8" x 3'11"	204cm x 119cm 6'8" x 3'11"	198cm x 138cm 6'6" x 4'6"		
Rear Bunk				198cm x 56cm 6'6" x 1'10"	198cm x 56cm 6'6" x 1'10"			
Side Single							180cm x 66cm 5'11" x 2'2"	180cm x 66cm 5'11" x 2'2"
Side Bunk							178cm x 56cm 5'10" x 1'10"	178cm x 56cm 5'10" x 1'10"

Please note that double bed sizes are quoted with wrap round seating

Specifications

GTS VOGUE	212	215	217	415	416	417	418	516	517
Berths	2	2	2	4	4	4	4	5	5
Internal Length (bed box height)	3.94m/12'11"	4.61m/15'2"	4.61m/15'2"	5.39m/17'8"	5.23m/17'2"	5.23m/17'2"	5.50m/18'1"	5.23m/17'2"	5.23m/17'2"
Overall Width	2.16m/7'1"	2.16m/7'1"	2.16m/7'1"	2.23m/7'4"	2.16m/7'1"	2.16m/7'1"	2.23m/7'4"	2.16m/7'1"	2.16m/7'1"
Overall Height (inc. TV Aerial)	2.76m/9'1"	2.76m/9'1"	2.76m/9'1"	2.76m/9'1"	2.76m/9'1"	2.76m/9'1"	2.76m/9'1"	2.76m/9'1"	2.76m/9'1"
Overall Length	5.60m/18'4"	6.28m/20'7"	6.28m/20'7"	7.06m/23'2"	6.89m/22'7"	6.89m/22'7"	7.17m/23'6"	6.89m/22'7"	6.89m/22'7"
Mass in Running Order (inc. tolerance)	978kg/19.3cwt	1102kg/21.7cwt	1072kg/21.1cwt	1227kg/24.2cwt	1192kg/23.5cwt	1195kg/23.5cwt	1254kg/24.7cwt	1196kg/23.6cwt	1191kg/23.5cwt
Essential Habitation Equipment Payload	90kg/1.8cwt	82kg/1.6cwt	82kg/1.6cwt	82kg/1.6cwt	82kg/1.6cwt	82kg/1.6cwt	82kg/1.6cwt	90kg/1.8cwt	90kg/1.8cwt
Personal Effects Payload	97kg/1.9cwt	104kg/2.0cwt	104kg/2.0cwt	131kg/2.6cwt	130kg/2.6cwt	130kg/2.6cwt	133kg/2.6cwt	140kg/2.8cwt	140kg/2.8cwt
Optional Equipment Payload	23kg/0.5cwt	23kg/0.5cwt	23kg/0.5cwt	23kg/0.5cwt	23kg/0.5cwt	23kg/0.5cwt	23kg/0.5cwt	23kg/0.5cwt	23kg/0.5cwt
Maximum Technical Permissible Laden Mass (DECLARED)	1188kg/23.4cwt	1311kg/25.8cwt	1281kg/25.2cwt	1463kg/28.8cwt	1427kg/28.1cwt	1430kg/28.2cwt	1492kg/29.4cwt	1449kg/28.5cwt	1444kg/28.4cwt
Maximum Technical Permissible Laden Mass (POSSIBLE)	1230kg/24.2cwt	1350kg/26.6cwt	1350kg/26.6cwt	1500kg/29.5cwt	1500kg/29.5cwt	1500kg/29.5cwt	1500kg/29.5cwt	1500kg/29.5cwt	1500kg/29.5cwt
Awning A/A dimension	8.18m/26'10"	8.85m/29'1"	8.85m/29'1"	9.63m/31'7"	9.47m/31'1"	9.47m/31'1"	9.74m/32'0"	9.47m/31'1"	9.47m/31'1"
Tyre Size	195/70R14 91	195/70R14 95	195/70R14 95	175R14 99	175R14 99	175R14 99	175R14 99	175R14 99	175R14 99
Tyre pressure at DECLARED MTPLM	36psi	42psi	42psi	61psi	61psi	61psi	63psi	61psi	61psi
Tyre pressure at POSSIBLE MTPLM	36psi	42psi	42psi	65psi	65psi	65psi	65psi	65psi	65psi
Static Load on Coupling Head	100kg	100kg	100kg	100kg	100kg	100kg	100kg	100kg	100kg
Thermal Insulation & Heating Grade	TWO	TWO	TWO	TWO	TWO	TWO	TWO	TWO	TWO
Bed Sizes									
Front Double	204cm x 190cm 6'8" x 6'3"	204cm x 190cm 6'8" x 6'3"	204cm x 139cm 6'8" x 4'7"	208cm x 167cm 6'10" x 5'6"	204cm x 180cm 6'8" x 5'11"	204cm x 139cm 6'8" x 4'7"	208cm x 158cm 6'10" x 5'2"	204cm x 190cm 6'8" x 6'3"	204cm x 137cm 6'8" x 4'6"
or One Single	190cm x 67cm 6'3" x 2'2"	190cm x 67cm 6'3" x 2'2"	190cm x 67cm 6'3" x 2'2"	190cm x 71cm 6'3" x 2'4"	190cm x 67cm 6'3" x 2'2"	190cm x 67cm 6'3" x 2'2"		190cm x 67cm 6'3" x 2'2"	
and One Single	190cm x 67cm 6'3" x 2'2"	190cm x 67cm 6'3" x 2'2"	190cm x 71cm 6'3" x 2'4"	167cm x 71cm 5'6" x 2'4"	180cm x 67cm 5'11" x 2'2"	190cm x 71cm 6'3" x 2'4"		190cm x 67cm 6'3" x 2'2"	
Rear Double				198cm x 138cm 6'6" x 4'6"			197cm x 137cm 6'6" x 4'6"	188cm x 132cm 6'2" x 4'4"	204cm x 132cm 6'8" x 4'4"
Rear Bunk								188cm x 58cm 6'2" x 1'11"	204cm x 58cm 6'8" x 1'11"
Side Single					180cm x 66cm 5'11" x 2'2"	180cm x 66cm 5'11" x 2'2"			
Side Bunk					178cm x 56cm 5'10" x 1'10"	178cm x 56cm 5'10" x 1'10"			

Please note that double bed sizes are quoted with wrap round seating

Specifications

SPECTRUM	520	535	540	620
Berths	5	4	4	5 opt 6
Internal Length (bed box height)	6.35m/20'10"	6.35m/20'10"	6.35m/20'10"	6.35m/20'10"
Overall Width	2.23m/7'4"	2.23m/7'4"	2.23m/7'4"	2.23m/7'4"
Overall Height (inc. TV Aerial)	2.75m/9'0"	2.75m/9'0"	2.75m/9'0"	2.75m/9'0"
Overall Length	8.02m/26'4"	8.02m/26'4"	8.02m/26'4"	8.02m/26'4"
Mass in Running Order (inc. tolerance)	1482kg/29.2cwt	1442kg/28.4cwt	1496kg/29.5cwt	1469kg/28.9cwt
Essential Habitation Equipment Payload	115kg/2.3cwt	115kg/2.3cwt	115kg/2.3cwt	123kg/2.4cwt
Personal Effects Payload	151kg/3.0cwt	141kg/2.8cwt	141kg/2.8cwt	161kg/3.2cwt
Optional Equipment Payload	29kg/0.6cwt	29kg/0.6cwt	29kg/0.6cwt	47kg/0.9cwt
Maximum Technical Permissible Laden Mass (DECLARED)	1777kg/35.0cwt	1727kg/34.0cwt	1781kg/35.1cwt	1800kg/35.4cwt
Maximum Technical Permissible Laden Mass (POSSIBLE)	1800kg/35.4cwt	1800kg/35.4cwt	1800kg/35.4cwt	1800kg/35.4cwt
Awning A/A dimension	10.55m/34'7"	10.55m/34' 7"	10.55m/34' 7"	10.55m/34'7"
Tyre Size	165R13 82	165R13 82	165R13 82	165R13 82
Tyre pressure at DECLARED MTPLM	33psi	33psi	33psi	33psi
Tyre pressure at POSSIBLE MTPLM	33psi	33psi	33psi	33psi
Static Load on Coupling Head	100kg	100kg	100kg	100kg
Thermal Insulation & Heating Grade	TWO	TWO	TWO	TWO
Bed Sizes				
Front Double†	208cm x 190cm/6'8" x 6'3"	208cm x 180cm/6'8" x 5'11"	208cm x 182cm/6'8" x 5'11"	208cm x 190cm/6'8" x 6'3"
or One Single	190cm x 71cm/6'3" x 2'4"	180cm x 71cm/5'11" x 2'4"	190cm x 71cm/6'3" x 2'4"	190cm x 71cm/6'3" x 2'4"
and One Single	190cm x 71cm/6'3" x 2'4"	190cm x 71cm/6'3" x 2'4"	182cm x 71cm/6'0" x 2'4"	190cm x 71cm/6'3" x 2'4"
Rear Double	192cm x 138cm/6'4" x 4'6"	202cm x 145cm/6'6" x 4'9"	192cmx138cm/6'4" x 4'6"	205cm x 137cm/6'9" x 4'6"
Rear Bunk	192cm x 58cm/6'4" x 1'11"			
Side Single (o/s)				177cm x 68cm/5'10" x 2'3"
Side Single (n/s)				177cm x 68cm/5'10" x 2'3"
Side Bunk				172cm x 56cm/5'8" x 1'10"
Opt Bunk (o/s)				172cm x 56cm/5'8" x 1'10"
Opt Bunk (n/s)				
Side Double				

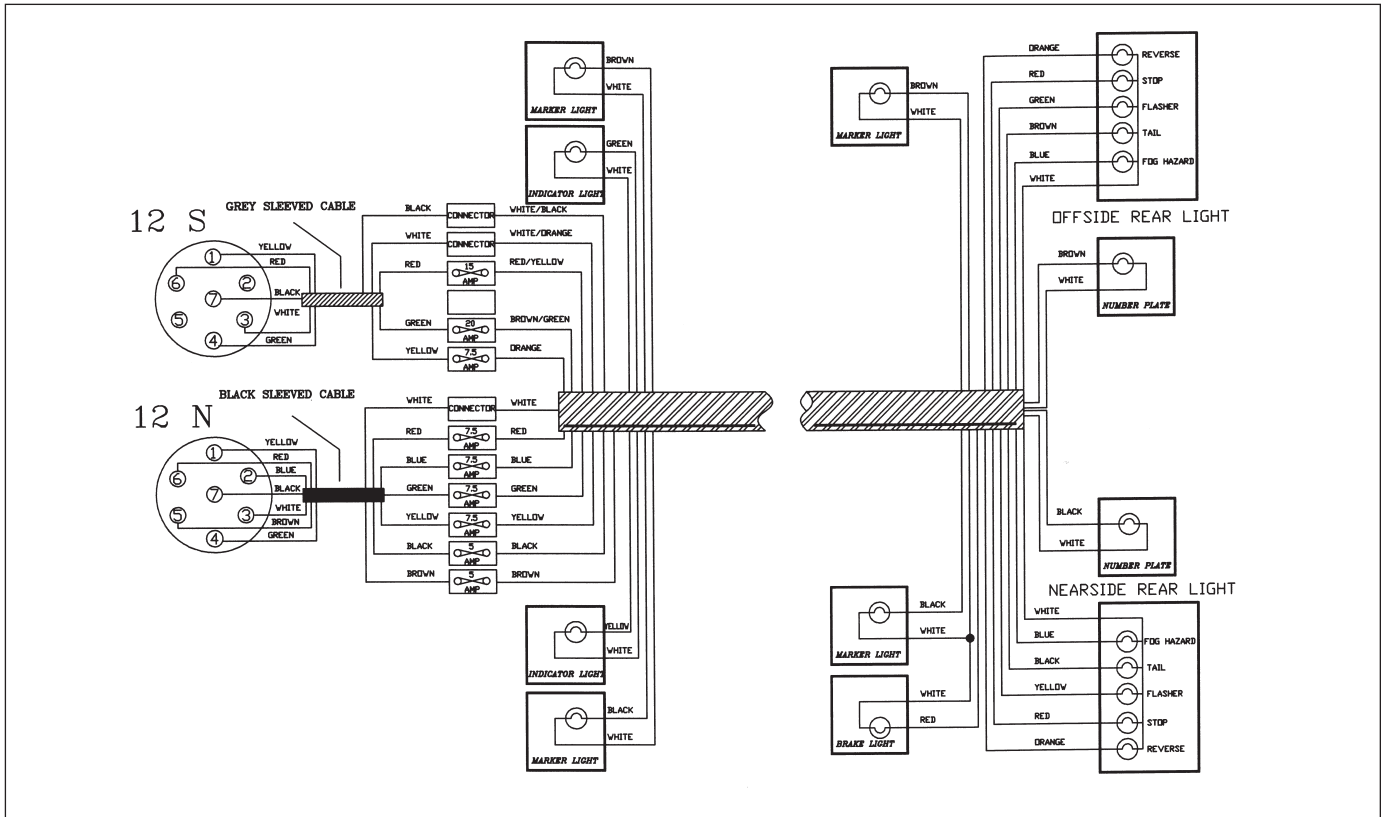
Please note that double bed sizes are quoted with wrap round seating

Specifications

IONA	IONA			
Berths	2			
Internal Length (bed box height)	3.55m/11'8"			
Overall Width	1.99m/6'6"			
Overall Height (inc. TV Aerial)	2.72m/8'11"			
Overall Length	5.04m/16'6"			
Mass in Running Order (inc. tolerance)	855kg/16.8cwt			
Essential Habitation Equipment Payload	90kg/1.8cwt			
Personal Effects Payload	92kg/1.8cwt			
Optional Equipment Payload	23kg/0.5cwt			
Maximum Technical Permissible Laden Mass (DECLARED)	1060kg/20.9cwt			
Maximum Technical Permissible Laden Mass (POSSIBLE)	1060kg/20.9cwt			
Awning A/A dimension	7.73m/25'4"			
Tyre Size	175/65R14 86			
Tyre pressure at DECLARED MTPLM	42psi			
Tyre pressure at POSSIBLE MTPLM	42psi			
Static Load on Coupling Head	100kg			
Thermal Insulation & Heating Grade	TWO			
Bed Sizes				
Front Double	187cm x 180cm/ 6'2" x 5'11"			

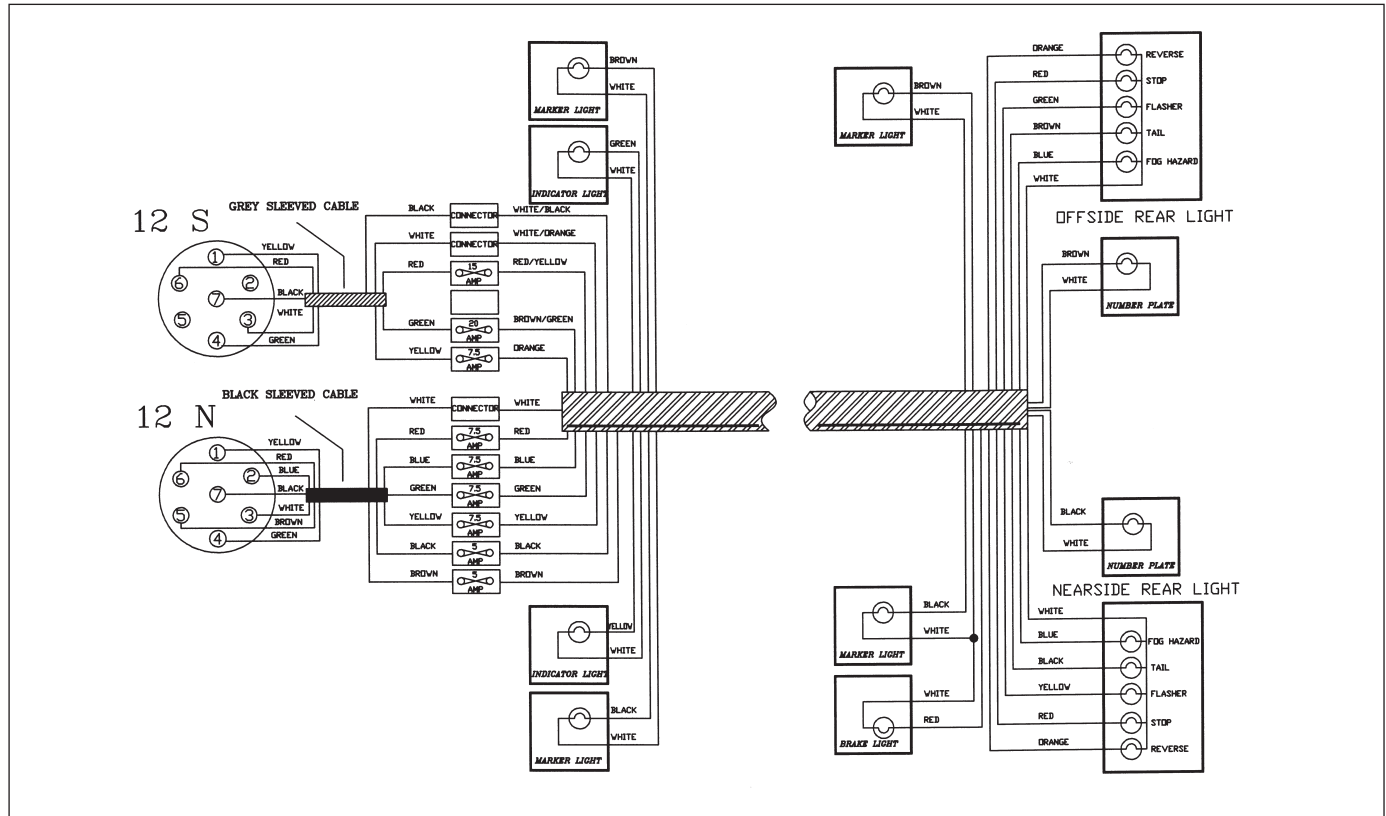
Please note that double bed sizes are quoted with wrap round seating

GTS VOGUE RANGE 2003 - ROAD LIGHTS



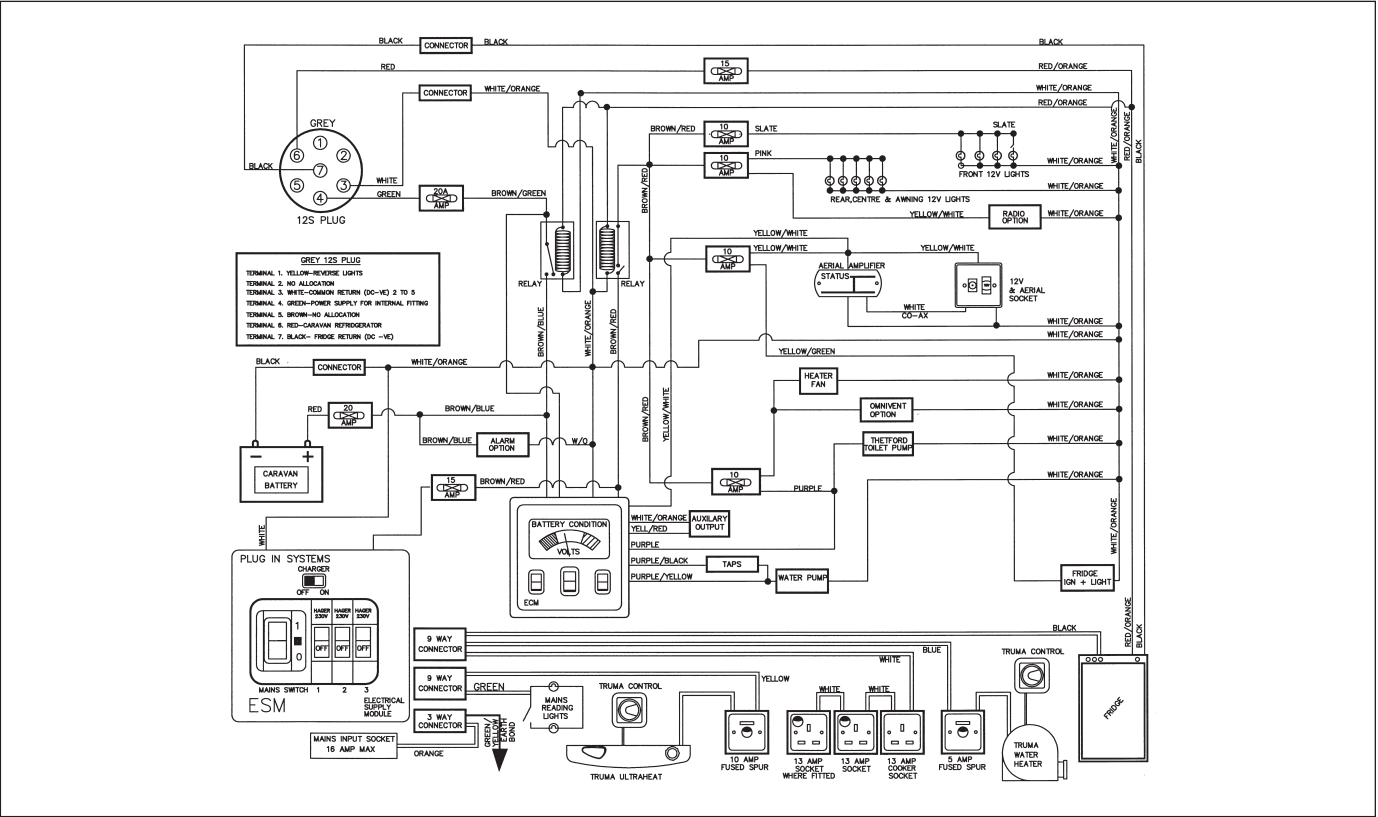
Wiring Diagrams

SPECTRUM RANGE 2003 - ROAD LIGHTS



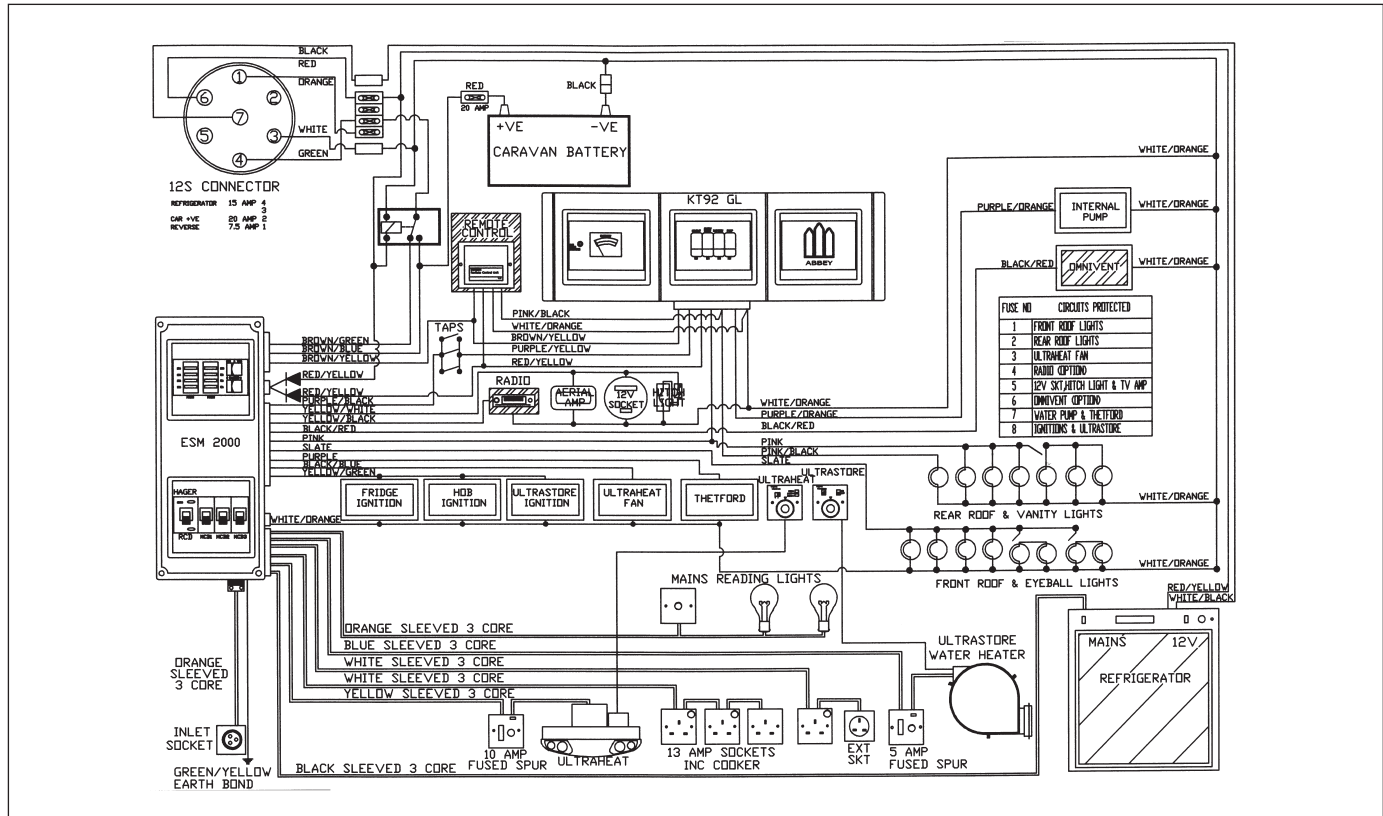
Wiring Diagrams

AVENTURA RANGE 2003 - 12V AND 230V



Wiring Diagrams

GTS VOGUE RANGE 2003 - 12V AND 230V



Bulb Replacement

	TYPE	POWER	IONA	AVENTURA	GTS VOGUE	SPECTRUM
ROAD LIGHTS						
Front marker lights	W501W	12v 3w	✓	✓	✓	✓
Side marker	F239	12v 5w	✓	✓	✓	✓
Reversing light	L382	12v 21w	✓	✓	✓	✓
Rear indicator light	L382	12v 21w	✓	✓	✓	✓
Brake / tail light	L380	12v 21w / 5w	✓	✓	✓	✓
Fog light	L382	12v 21w	✓	✓	✓	✓
Number plate light	F239	12v 5w	✓	✓	✓	✓
High level brake light	Capless	12v 2.3w	✓	✓	✓	✓
Hitch cover light	F239	12v 5w	✓		✓	✓
INTERIOR/OTHER						
Awning (Internal switch)	P21W	12v 20w			✓	✓
Awning (External switch)	L245	12v 10w	✓	✓		
Spot / reading lights	Halogen capsule	G4 12v 10w	✓		✓	✓
Spot / reading lights	L245	12v 10w		✓		
Round ceiling lights	Halogen capsule	G4 20w	✓	✓	✓	✓
Kitchen strip light	Flourescent tube 300mm	12v 8w		✓		
Mains lights	Small screw	240v 40w		✓		
Mains downlights	Screw spotlight bulb	240v 60w	✓		✓	✓

Note: Not all lights and bulbs feature on all models within a range

NOTIFICATION OF CHANGE OF OWNERSHIP

If you sell your caravan, please notify the change of ownership by completing this page, detaching it and sending it to:
Swift Group Ltd., Dunswell Road, Cottingham, East Yorkshire, HU16 4JX.

DETAILS OF CARAVAN:	Model:	_____
	Chassis No:	_____
CURRENT OWNER:	Name:	_____
	Address:	_____

NEW OWNER:	Name:	_____
	Address:	_____

Please note that the benefit of any unexpired warranty cannot be transferred to the new owner until the change of ownership details above have been received.



Leaders in Leisure

**Abbey Caravans, Dunswell Road, Cottingham, East Yorkshire HU16 4JX.
Tel: 01482 875740 Fax: 01482 840082
e-mail: enquiry@supercare.co.uk website: www.abbeycaravans.co.uk**

A MEMBER OF THE SWIFT GROUP

Issued September 2002

1048550