



Enjoy the freedom

ACE CARAVANS, DUNSWELL ROAD,
COTTINGHAM, EAST YORKSHIRE HU16 4JX.

TEL: 01482 875740 FAX: 01482 840082

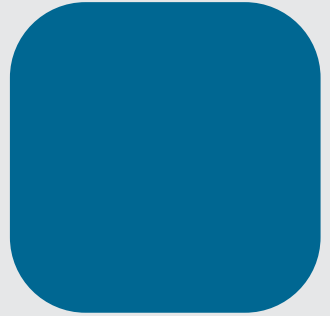
e-mail: enquiry@swiftleisure.co.uk

web site: www.ace-caravans.co.uk

A MEMBER OF THE SWIFT GROUP



*SPECIFICATION, WIRING DIAGRAMS
& BULB CHART*





CONTENTS

Specification1

Wiring Diagrams - Road Lights2

Wiring Diagrams - Internal Wiring - 12V & 230V3

Bulb Replacement4

Specifications

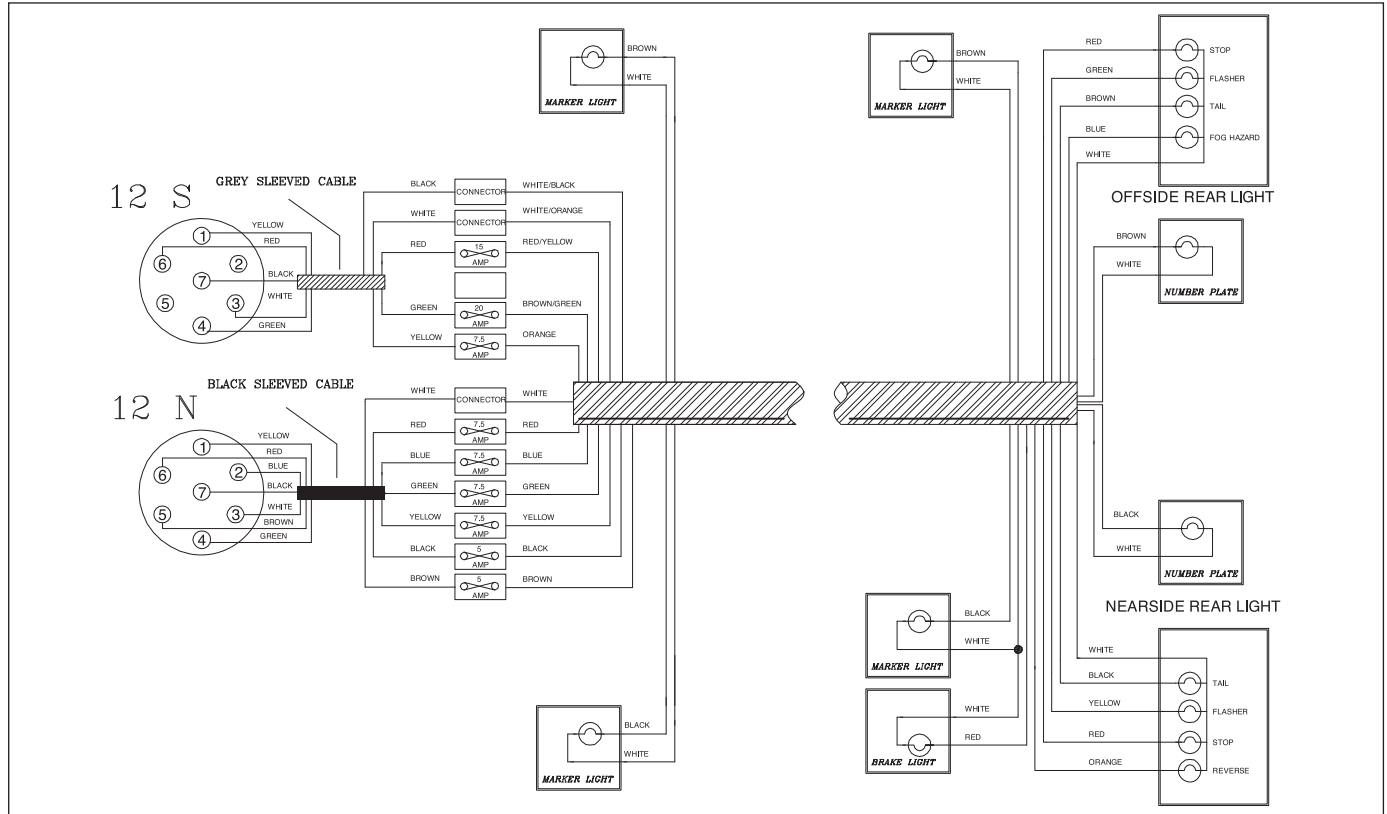
	SUPREME TWINSTAR	SUPREME GLOBESTAR	SUPREME SUPERSTAR
Berths	4	4	4
Axles	2	2	2
Internal Length (bed box height)	6.27m/20'7"	6.27m/20'7"	6.27m/20'7"
Overall Width	2.29m/7'6"	2.29m/7'6"	2.29m/7'6"
Overall Height (inc. TV Aerial)	2.70m/8'10"	2.70m/8'10"	2.70m/8'10"
Maximum Internal Headroom	1.95m/6'5"	1.95m/6'5"	1.95m/6'5"
Overall Length	7.96m/26'1"	7.96m/26'1"	7.96m/26'1"
Mass in Running Order (inc. tolerance)	1503kg/29.6cwt	1478kg/29.1cwt	1468kg/28.9cwt
Essential Habitation Equipment Payload	105kg/2.1cwt	105kg/2.1cwt	105kg/2.1cwt
Personal Effects Payload	140kg/2.8cwt	140kg/2.8cwt	140kg/2.8cwt
Optional Equipment Payload	42kg/0.8cwt	42kg/0.8cwt	42kg/0.8cwt
Total user Payload	287kg/5.7cwt	287kg/5.7cwt	287kg/5.7cwt
Maximum Technical Permissible Laden Mass (DECLARED)	1790kg/35.3cwt	1765kg/34.8cwt	1755kg/34.6cwt
Maximum Technical Permissible Laden Mass (POSSIBLE)	1800kg/35.4cwt	1800kg/35.4cwt	1800kg/35.4cwt
Awning A/A dimension†	10.48m/34'5"	10.48m/34'5"	10.48m/34'5"
Tyre Size	175/65 r14 86	175/65 r14 86	175/65 r14 86
Tyre pressure at DECLARED MTPLM	44psi	40psi	36psi
Tyre pressure at POSSIBLE MTPLM	44psi	44psi	44psi
Static Load on Coupling Head	100kg	100kg	100kg
Thermal Insulation Grade	TWO	TWO	TWO
Bed Sizes			
Front Double	214cm x 137cm/7'0" x 4'6"	213cm x 167cm/7'0" x 5'6"	214cm x 137cm/7'0" x 4'6"
or One Single		190cm x 72cm/6'3" x 2'4"	
and One Single		167cm x 72cm/5'6" x 2'4"	
Rear Double	187cm x 138cm/6'2" x 4'6"	186cm x 134cm/6'1" x 4'5"	
Side Single (offside)			189cm x 78cm/6'2" x 2'6"
Side Single (nearside)			191cm x 78cm/6'3" x 2'6"

Bed sizes: Please note that double bed sizes are quoted with wrap round seating.

†Note on awning sizes: Due to the varying awning designs and sizes the awning sizes given are approximate only. Specific awning sizes must be confirmed by your dealer or the awning manufacturer prior to purchase.

Wiring Diagrams

SUPREME RANGE - ROAD LIGHTS



Bulb Replacement

	TYPE	RATING	SUPREME		
ROAD LIGHTS					
Front marker lights	W5W	12v 5w	✓		
Side marker	C5W	12v 5w	✓		
Reversing light	P21W	12v 21w	✓		
Rear indicator light	P21W Orange bulb	12v 21w	✓		
Brake / tail light	P21/5W	12v 21w / 5w	✓		
Fog light	P21W	12v 21w	✓		
Number plate light	C5W	12v 5w	✓		
High level brake light	T5/13.5	12v 2.3w	✓		
INTERIOR/OTHER					
Awning light	P21W	12v 20w	✓		
Spot / reading lights	GU4/MR11 Dichroic	GU4 12v 10w	✓		
Downlighters	Halogen capsule	G4 12v 20w	✓		
Round ceiling lights single bulb	Halogen capsule	G4 12v 20w	✓		
Round ceiling lights twin bulb	Halogen capsule	G4 12v 10w	✓		
Small white round ceiling light	Halogen capsule	G4 12v 10w	✓		
Kitchen light	Fluorescent 300mm	12v 8w	✓		
Mains lights	Small screw	230v 40w	✓		

Note: Not all bulbs and lights feature on all models within a range