



The Hallmark of Excellence

Sterling Caravans, Dunswell Road,
Cottingham, East Yorkshire HU16 4JX.
Tel: 01482 875740
Fax: 01482 840082
e-mail: enquiry@swiftleisure.co.uk
web site: www.sterlingcaravans.co.uk

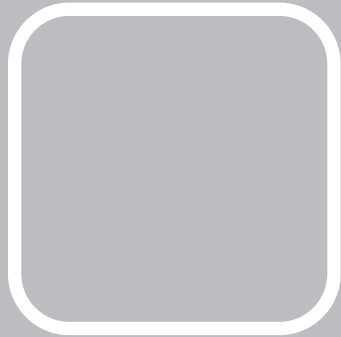
A MEMBER OF THE SWIFT GROUP

1074983 issued September 2006



Europa

Specification, Wiring Diagrams & Bulb Chart



CONTENTS

Specification	1
Wiring Diagrams - Road Lights	2
Wiring Diagrams - Internal Wiring - 12V.....	3
Wiring Diagrams - Internal Wiring - 230V	4
Bulb Replacement	5

Specifications

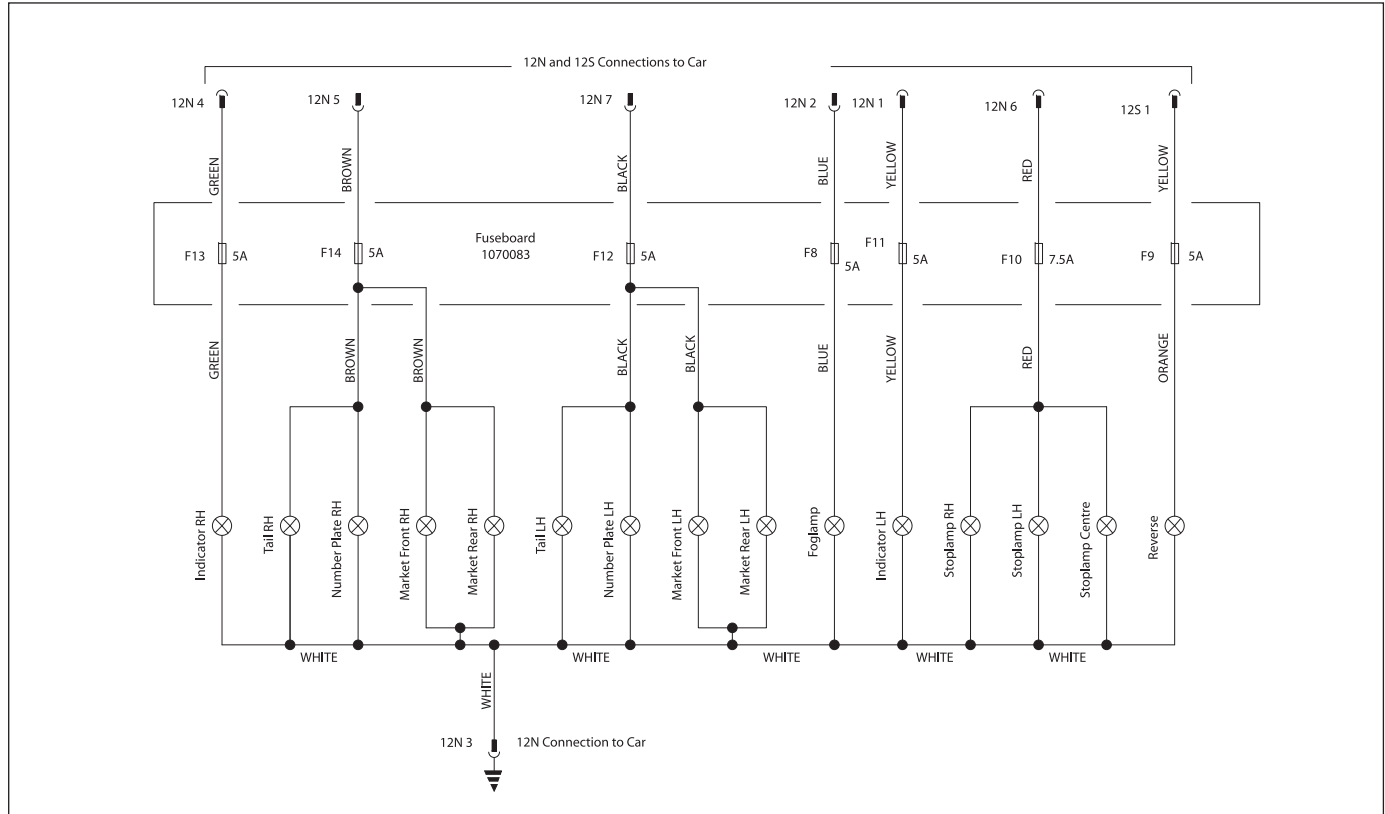
	EUROPA 460	EUROPA 470	EUROPA 495	EUROPA 520	EUROPA 540	EUROPA 600
Berths	2	4	4	4	6	6
Axles	1	1	1	1	1	2
Internal Length (bed box height)	4.67m/15'4"	4.74m/15'7"	5.50m/18'1"	5.23m/17'2"	5.50m/18'1"	6.27m/20'7"
Overall Width	2.23m/7'4"	2.23m/7'4"	2.29m/7'6"	2.23m/7'4"	2.23m/7'4"	2.23m/7'4"
Overall Height (inc. TV Aerial)	2.70m/8'10"	2.70m/8'10"	2.70m/8'10"	2.70m/8'10"	2.70m/8'10"	2.70m/8'10"
Maximum Internal Headroom	1.95m/6'5"	1.95m/6'5"	1.95m/6'5"	1.95m/6'5"	1.95m/6'5"	1.95m/6'5"
Overall Length	6.35m/20'10"	6.42m/21'1"	7.18m/23'7"	6.91m/22'8"	7.18m/23'7"	7.95m/26'1"
Mass in Running Order (inc. tolerance)	1106kg/21.8cwt	1090kg/21.5cwt	1242kg/24.4cwt	1200kg/23.6cwt	1252kg/24.6cwt	1395kg/27.5cwt
Essential Habitation Equipment Payload	68kg/1.3cwt	68kg/1.3cwt	68kg/1.3cwt	68kg/1.3cwt	68kg/1.3cwt	68kg/1.3cwt
Personal Effects Payload	104kg/2.0cwt	125kg/2.5cwt	133kg/2.6cwt	130kg/2.6cwt	153kg/3.0cwt	160kg/3.1cwt
Optional Equipment Payload	17kg/0.3cwt	17kg/0.3cwt	17kg/0.3cwt	17kg/0.3cwt	17kg/0.3cwt	17kg/0.3cwt
Total user Payload	189kg/3.6cwt	210kg/4.1cwt	218kg/4.2cwt	215kg/4.2cwt	238kg/4.6cwt	245kg/4.7cwt
Maximum Technical Permissible Laden Mass (DECLARED)	1295kg/25.4cwt	1300kg/25.6cwt	1460kg/28.6cwt	1415kg/27.8cwt	1490kg/29.2cwt	1640kg/32.2cwt
Maximum Technical Permissible Laden Mass (POSSIBLE)	1350kg/26.6cwt	1350kg/26.6cwt	1500kg/29.5cwt	1500kg/29.5cwt	1500kg/29.5cwt	1800kg/35.4cwt
Awning A/A dimension†	8.88m/29'2"	8.95m/29'4"	9.71m/31'10"	9.44m/31'0"	9.71m/31'10"	10.48m/34'5"
Tyre Size	195/70 r14 96	195/70 r14 96	175 r14 99	175 r14 99	175 r14 99	175/65 r14 82
Tyre pressure at DECLARED MTPLM	42 psi	42 psi	62 psi	62 psi	65 psi	36 psi
Tyre pressure at POSSIBLE MTPLM	50 psi	50 psi	65 psi	65 psi	65 psi	44 psi
Static Load on Coupling Head	100kg	100kg	100kg	100kg	100kg	100kg
Thermal Insulation Grade	TWO	TWO	TWO	TWO	TWO	TWO
Bed Sizes						
Front Double	208cm x 180cm/6'10" x 5'11"	208cm x 134cm/6'10" x 4'5"	213cm x 159cm/7'0" x 5'3"	208cm x 180cm/6'10" x 5'11"	208cm x 180cm/6'10" x 5'11"	208cm x 180cm/6'10" x 5'11"
or One Single	180cm x 72cm/5'11" x 2'4"		167cm x 72cm/5'6" x 2'4"	190cm x 72cm/6'3" x 2'4"	180cm x 72cm/5'11" x 2'4"	180cm x 72cm/5'11" x 2'4"
and One Single	190cm x 72cm/6'3" x 2'4"		159cm x 72cm/5'3" x 2'4"	180cm x 72cm/5'11" x 2'4"	180cm x 72cm/5'11" x 2'4"	190cm x 72cm/6'3" x 2'4"
Rear Double		188cm x 138cm/6'2" x 4'6"	192cm x 138cm/6'4" x 4'6"			
Side Single (offside)				180cm x 70cm/5'11" x 2'4"		
Side Single (nearside)					180cm x 70cm/5'11" x 2'4"	180cm x 70cm/5'11" x 2'4"
Side Bunk				178cm x 59cm/5'10" x 1'11"	178cm x 59cm/5'10" x 1'11"	178cm x 59cm/5'10" x 1'11"
Rear Fixed Lower Bunk					180cm x 62cm/5'11" x 2'1"	
Rear Fixed Upper Bunk					184cm x 60cm/6'0" x 2'0"	
Side Fixed Lower Bunk						180cm x 56cm/5'11" x 1'10"
Side Fixed Upper Bunk						180cm x 58cm/5'11" x 1'11"

Bed sizes: Please note that double bed sizes are quoted with wrap round seating.

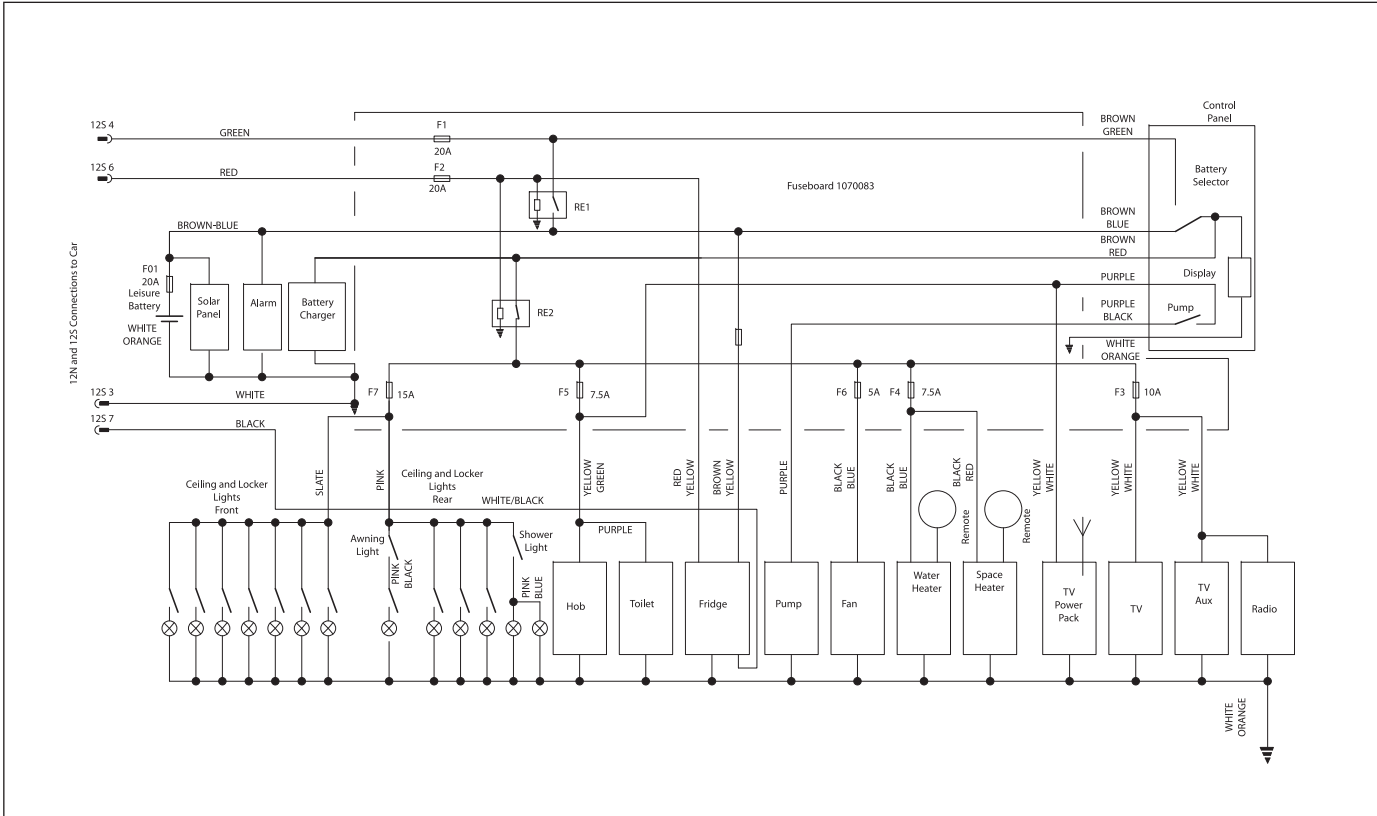
†**Note on awning sizes:** Due to the varying awning designs and sizes the awning sizes given are approximate only. Specific awning sizes must be confirmed by your dealer or the awning manufacturer prior to purchase.

Wiring Diagrams

EUROPA RANGE - ROAD LIGHTS

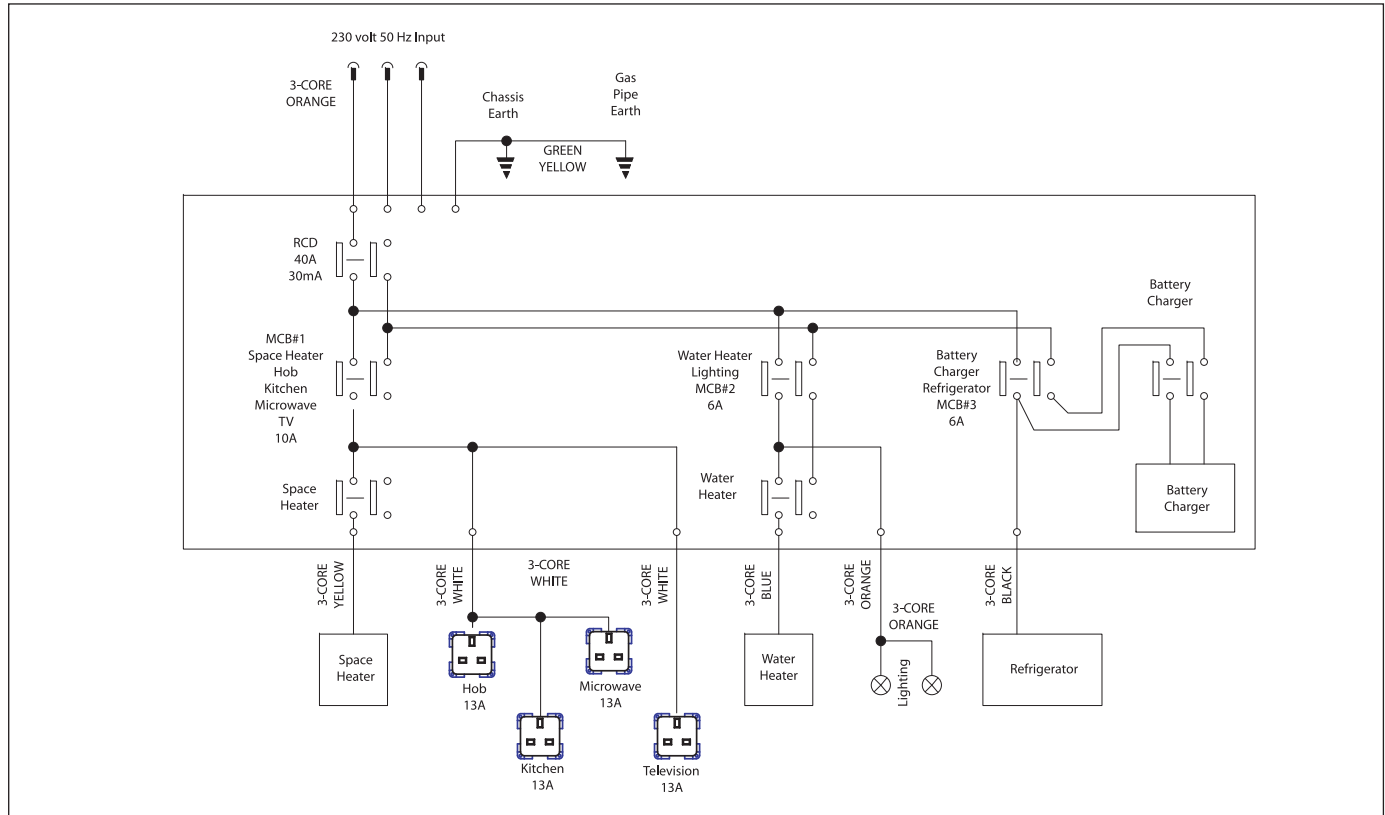


EUROPA RANGE - 12V



Wiring Diagrams

EUROPA RANGE - 230V



Bulb Replacement

	TYPE	RATING	EUROPA		
ROAD LIGHTS					
Front marker lights	W5W	12v 5w	✓		
Side marker	C5W	12v 5w	✓		
Reversing light	P21W	12v 21w	✓		
Rear indicator light	P21W Orange bulb	12v 21w	✓		
Brake / tail light	P21/5W	12v 21w / 5w	✓		
Fog light	P21W	12v 21w	✓		
Number plate light	C5W	12v 5w	✓		
High level brake light	T5/13.5	12v 2.3w	✓		
INTERIOR/OTHER					
Awning light	P21W	12v 20w	✓		
Spot / reading lights	GU4/MR11 Dichroic	GU4 12v 10w	✓		
Round ceiling lights single bulb	Halogen capsule	G4 12v 20w	✓		
Round ceiling lights twin bulb	Halogen capsule	G4 12v 10w	✓		
Small white round ceiling light	Halogen capsule	G4 12v 10w	✓		
Kitchen light	Fluorescent 300mm	12v 8w	✓		
Mains lights	Small screw	230v 40w	✓		

Note: Not all bulbs and lights feature on all models within a range