



Quality with Style

Swift Caravans

Dunswell Road, Cottingham, East Yorkshire HU16 4JX.

Tel: 01482 875740 Fax: 01482 840082

email: enquiry@swiftleisure.co.uk

web site: www.swiftcaravans.co.uk

A MEMBER OF THE SWIFT GROUP

1074978 issued September 2006



Swift

Specification, wiring diagrams & bulb chart

Challenger





CONTENTS

Specification1

Wiring Diagrams - Road Lights2

Wiring Diagrams - Internal Wiring - 12V & 230V3

Bulb Replacement4

Specifications

	CHALLENGER 480	CHALLENGER 490	CHALLENGER 530	CHALLENGER 540	CHALLENGER 510
Berths	2	5	4	4	4
Axles	1	1	1	1	1
Internal Length (bed box height)	4.74m/15'7"	5.42m/17'10"	5.42m/17'10"	5.50m/18'1"	5.50m/18'1"
Overall Width	2.23m/7'4"	2.29m/7'6"	2.23m/7'4"	2.29m/7'6"	2.29m/7'6"
Overall Height (inc. TV Aerial)	2.70m/8'10"	2.70m/8'10"	2.70m/8'10"	2.70m/8'10"	2.70m/8'10"
Maximum Internal Headroom	1.95m/6'5"	1.95m/6'5"	1.95m/6'5"	1.95m/6'5"	1.95m/6'5"
Overall Length	6.43m/21'1"	7.11m/23'4"	7.11m/23'4"	7.19m/23'7"	7.19m/23'7"
Mass in Running Order (inc. tolerance)	1182kg/23.3cwt	1349kg/26.6cwt*	1335kg/26.3cwt	1274kg/25.1cwt	1359kg/26.8cwt*
Essential Habitation Equipment Payload	68kg/1.3cwt	68kg/1.3cwt	68kg/1.3cwt	68kg/1.3cwt	68kg/1.3cwt
Personal Effects Payload	105kg/2.1cwt	142kg/2.8cwt	132kg/2.6cwt	133kg/2.6cwt	133kg/2.6cwt
Optional Equipment Payload	5kg/0.1cwt	5kg/0.1cwt	5kg/0.1cwt	5kg/0.1cwt	5kg/0.1cwt
Total user Payload	178kg/3.5cwt	215kg/4.2cwt	205kg/4.0cwt	206kg/4.0cwt	206kg/4.0cwt
Maximum Technical Permissible Laden Mass (DECLARED)	1360kg/26.8cwt	1564kg/30.8cwt*	1540kg/30.3cwt	1480kg/29.1cwt	1565kg/30.8cwt*
Maximum Technical Permissible Laden Mass (POSSIBLE)	1500kg/29.5cwt	1600kg/31.5cwt	1600kg/31.5cwt	1500kg/29.5cwt	1600kg/31.5cwt
Awning A/A dimension†	8.95m/29'4"	9.63m/31'7"	9.63m/31'7"	9.71m/31'10"	9.71m/31'10"
Tyre Size	175 r14 99	205/65 r15 102	205/65 r15 102	175 r14 99	205/65 r15 102
Tyre pressure at DECLARED MTPLM	58psi	50psi	50psi	62psi	50psi
Tyre pressure at POSSIBLE MTPLM	65psi	50psi	50psi	65psi	50psi
Static Load on Coupling Head	100kg	100kg	100kg	100kg	100kg
Thermal Insulation Grade	TWO	TWO	TWO	TWO	TWO
Bed Sizes					
Front Double	208cm x 180cm/6'10" x 5'11"	213cm x 180cm/7'0" x 5'11"	208cm x 180cm/6'10" x 5'11"	213cm x 159cm/7'0" x 5'3"	213cm x 139cm/7'0" x 4'7"
or One Single	180cm x 72cm/5'11" x 2'4"	180cm x 72cm/5'11" x 2'4"	180cm x 72cm/5'11" x 2'4"	167cm x 72cm/5'6" x 2'4"	
and One Single	190cm x 72cm/6'3" x 2'4"	190cm x 72cm/6'3" x 2'4"	190cm x 72cm/6'3" x 2'4"	159cm x 72cm/5'3" x 2'4"	
Rear Double		213cm x 138cm/7'0" x 4'6"		192cm x 139cm/6'4" x 4'7"	
Rear Bunk		194cm x 56cm/6'4" x 1'10"			
Side Single (Offside)			180cm x 66cm/5'11" x 2'2"		187cm x 78cm/6'2" x 2'6"
Side Single (Nearside)					190cm x 78cm/6'3" x 2'6"
Side Bunk			178cm x 56cm/5'10" x 1'10"		

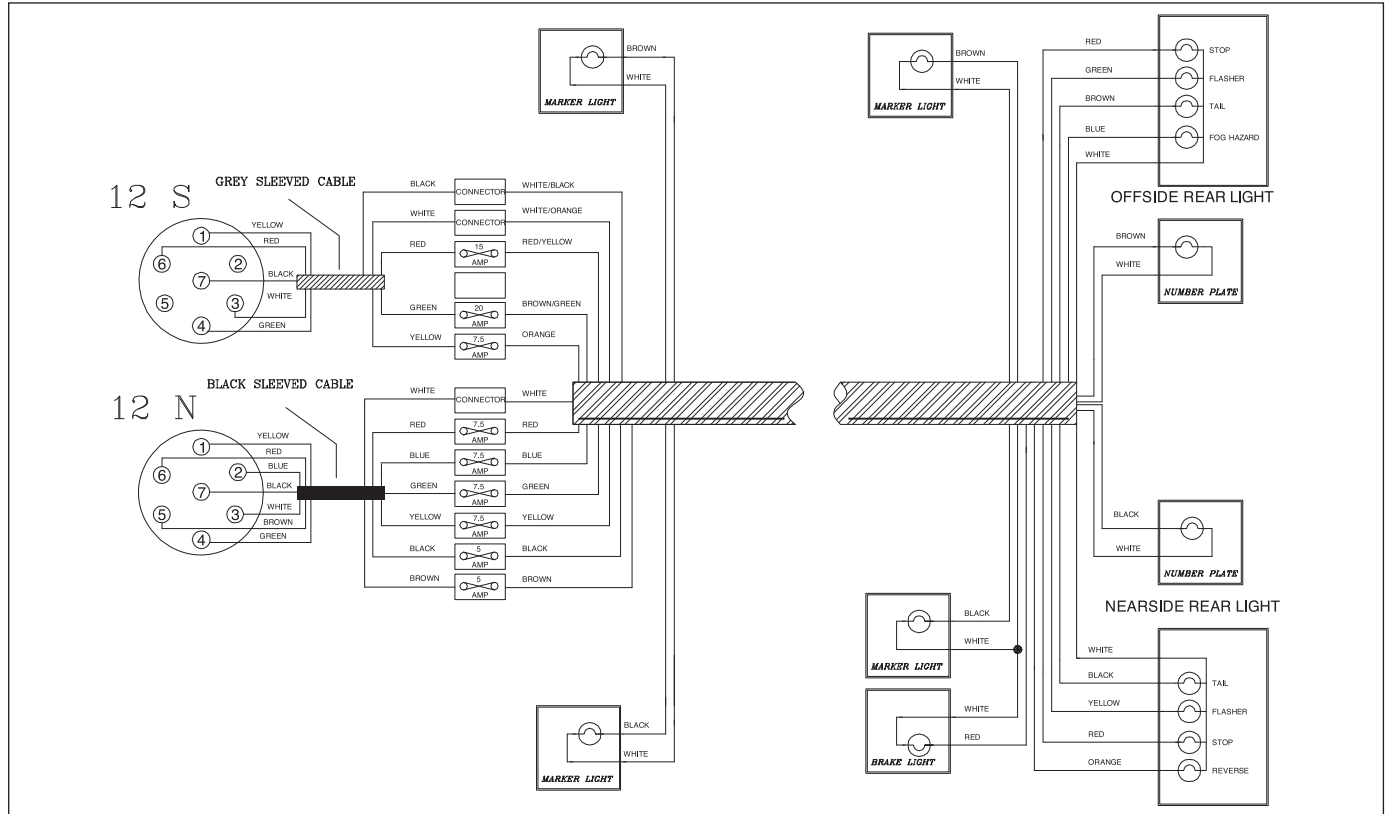
Bed sizes: Please note that double bed sizes are quoted with wrap round seating.

†**Note on awning sizes:** Due to the varying awning designs and sizes the awning sizes given are approximate only. Specific awning sizes must be confirmed by your dealer or the awning manufacturer prior to purchase.

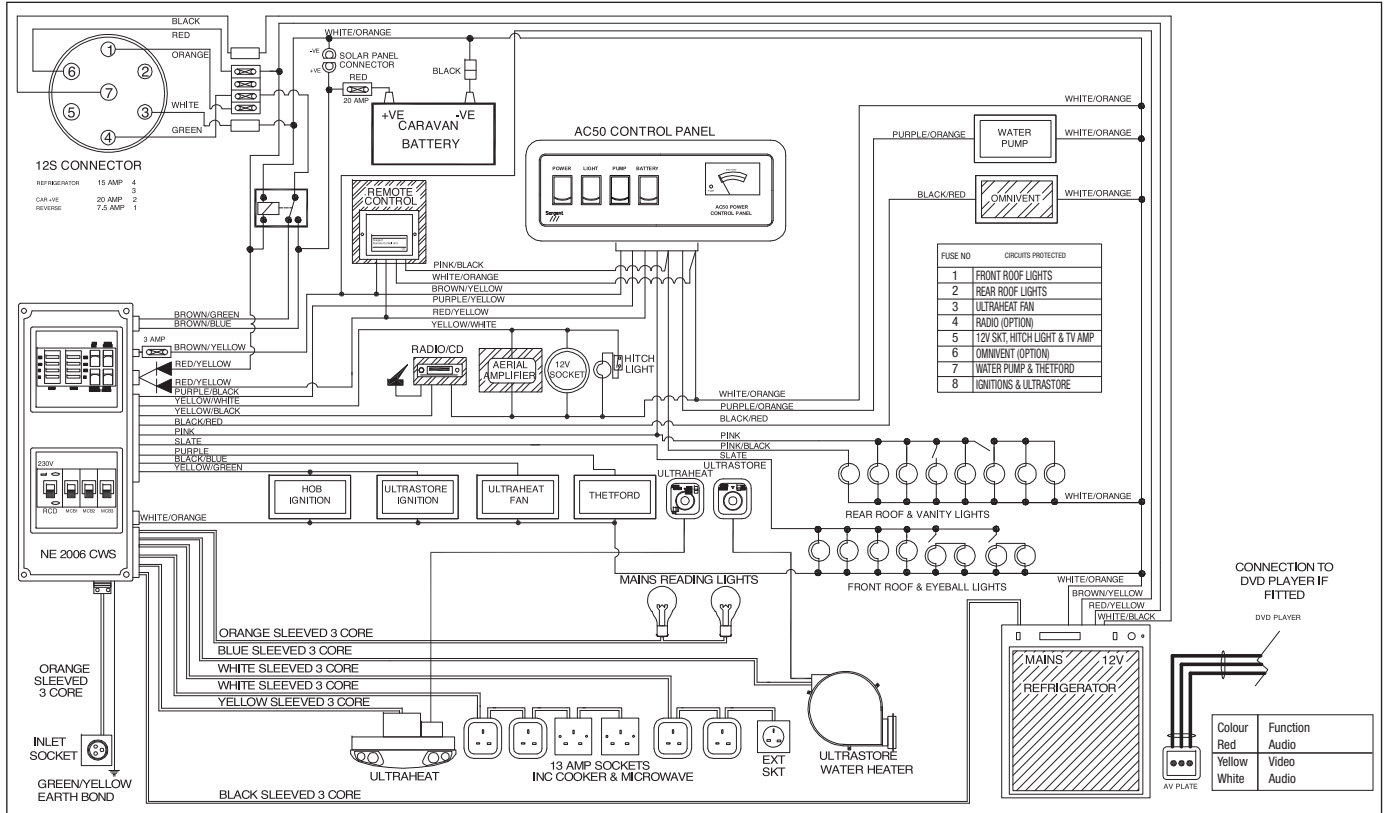
* Estimated weight

Wiring Diagrams

CHALLENGER RANGE - ROAD LIGHTS



CHALLENGER RANGE - 12V & 230V



Bulb Replacement

	TYPE	RATING	CHALLENGER		
ROAD LIGHTS					
Front marker lights	W5W	12v 5w	✓		
Side marker	C5W	12v 5w	✓		
Reversing light	P21W	12v 21w	✓		
Rear indicator light	P21W Orange bulb	12v 21w	✓		
Brake / tail light	P21/5W	12v 21w / 5w	✓		
Fog light	P21W	12v 21w	✓		
Number plate light	C5W	12v 5w	✓		
High level brake light	T5/13.5	12v 2.3w	✓		
Hitch cover light	C5W	12v 5w	✓		
INTERIOR/OTHER					
Awning light	P21W	12v 20w	✓		
Spot / reading lights	GU4/MR11 Dichroic	GU4 12v 10w	✓		
Down lighters	Halogen capsule	G4 12v 20w	✓		
Round ceiling lights single bulb	Halogen capsule	G4 12v 20w	✓		
Round ceiling lights twin bulb	Halogen capsule	G4 12v 10w	✓		
Small white round ceiling light	Halogen capsule	G4 12v 10w	✓		
Kitchen light	Fluorescent 300mm	12v 8w	✓		
Mains lights	Small screw	230v 40w	✓		

Note: Not all bulbs and lights feature on all models within a range