



The Hallmark of Excellence

Sterling Caravans, Dunswell Road,
Cottingham, East Yorkshire HU16 4JX.
Tel: 01482 875740
Fax: 01482 840082
email: enquiry@swiftleisure.co.uk
website: www.sterlingcaravans.co.uk

A MEMBER OF THE SWIFT GROUP

1079647 issued November 2007



Elite

Specification, Wiring Diagrams & Bulb Chart



CONTENTS

Specification	1
Wiring Diagrams	
Road Lights	2
Consumer Circuits - Roof	3
Consumer Circuits - Floor	4
Power Circuits	5
230V Circuits	6
Consumer Circuits – Floor with Alde Heating	7
230V Circuits – Floor with Alde Heating	8
Cable Colour Chart	8
Bulb Replacement	10

Specifications

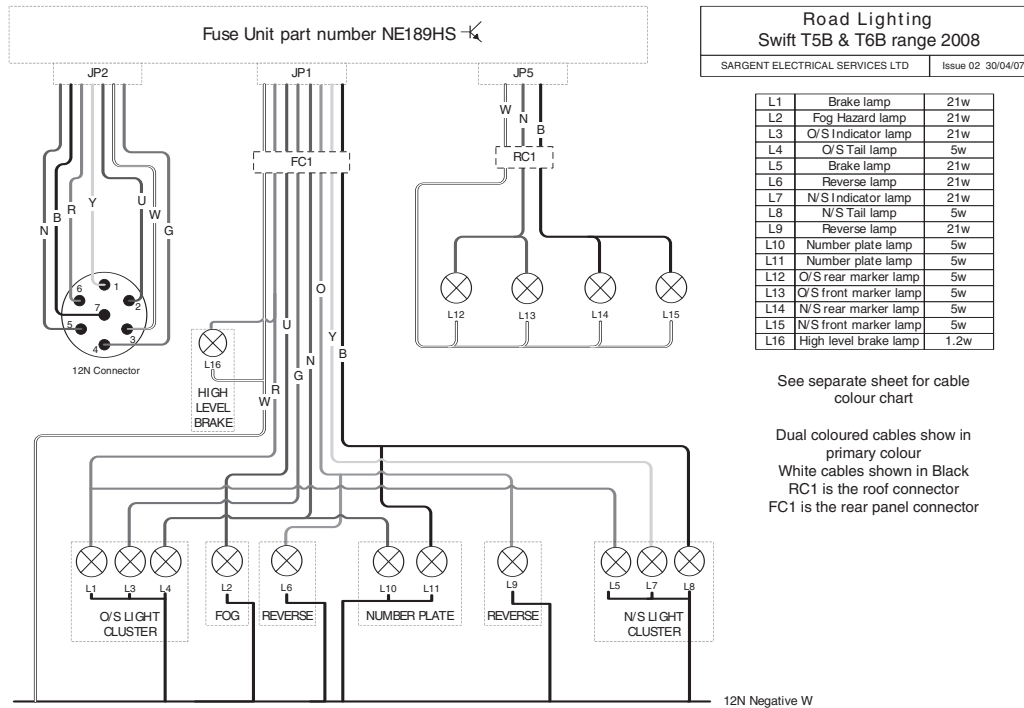
	ELITE DIAMOND	ELITE EMERALD	ELITE ONYX	ELITE SEARCHER	ELITE EXPLORER
Berths	2	4	4	4	4
Axles	1	1	1	2	2
Internal Length (bed box height)	4.74m/15'7"	5.50m/18'1"	5.50m/18'1"	6.27m/20'7"	6.27m/20'7"
Overall Width	2.29m/7'6"	2.29m/7'6"	2.29m/7'6"	2.29m/7'6"	2.29m/7'6"
Overall Height (inc. TV Aerial)	2.70m/8'10"	2.70m/8'10"	2.70m/8'10"	2.70m/8'10"	2.70m/8'10"
Maximum Internal Headroom	1.95m/6'5"	1.95m/6'5"	1.95m/6'5"	1.95m/6'5"	1.95m/6'5"
Overall Length	6.42m/21'1"	7.18m/23'7"	7.18m/23'7"	7.95m/26'1"	7.95m/26'1"
Mass in Running Order (inc. tolerance)	1210kg/23.8cwt	1390kg/27.4cwt	1353kg/26.6cwt	1532kg/30.2cwt	1532kg/30.2cwt
Essential Habitation Equipment Payload	105kg/2.1cwt	105kg/2.1cwt	105kg/2.1cwt	104kg/2.0cwt	104kg/2.0cwt
Personal Effects Payload	105kg/2.1cwt	133kg/2.6cwt	133kg/2.6cwt	141kg/2.8cwt	141kg/2.8cwt
Optional Equipment Payload	4kg/0.1cwt	4kg/0.1cwt	9kg/0.2cwt	38kg/0.7cwt	38kg/0.7cwt
Total user Payload	214kg/4.3cwt	242kg/4.8cwt	247kg/4.9cwt	283kg/5.5cwt	283kg/5.5cwt
Maximum Technical Permissible Laden Mass (DECLARED)	1424kg/28.1cwt	1632kg/32.2cwt	1600kg/31.5cwt	1815kg/35.7cwt	1815kg/35.7cwt
Maximum Technical Permissible Laden Mass (POSSIBLE)	1500kg/29.5cwt	1750kg/34.4cwt	1600kg/31.5cwt	1900kg/37.4cwt	1900kg/37.4cwt
Awning A/A dimension [†]	9.11m/29'11"	9.87m/32'5"	9.87m/32'5"	10.64m/34'11"	10.64m/34'11"
Tyre Size	175 r14 99	195/70 r15 104	205/65 r15 102	175/65 r14 86	175/65 r14 86
Tyre pressure at DECLARED MTPLM	62psi	60psi	52psi	40psi	40psi
Tyre pressure at POSSIBLE MTPLM	65psi	65psi	52psi	44psi	44psi
Static Load on Coupling Head	100kg	100kg	100kg	100kg	100kg
Thermal Insulation Grade	TWO	TWO	TWO	TWO	TWO
Bed Sizes					
Front Double	213cm x 180cm/7'0" x 5'11"	213cm x 180cm/7'0" x 5'11"	213 x 159cm/7'0" x 5'3"	206cm x 159cm/6'9" x 5'3"	206cm x 167cm/6'9" x 5'6"
or One Single	190cm x 72cm/6'3" x 2'4"	180cm x 72cm/5'11" x 2'4"	167cm x 72cm/5'6" x 2'4"	167cm x 70cm/5'6" x 2'4"	190cm x 70cm/6'3" x 2'4"
and One Single	190cm x 72cm/6'3" x 2'4"	190cm x 72cm/6'3" x 2'4"	159cm x 72cm/5'3" x 2'4"	159cm x 70cm/5'3" x 2'4"	167cm x 70cm/5'6" x 2'4"
Rear Double			192cm x 138cm/6'4" x 4'6"	190cm x 134cm/6'3" x 4'3"	184cm x 133cm/6'0" x 4'4"
Side Single (offside)		180cm x 70cm/5'11" x 2'4"			
Side Single (nearside)					
Side Bunk		176cm x 59cm/5'9" x 1'11"			

Bed sizes: Please note that double bed sizes are quoted with wrap round seating.

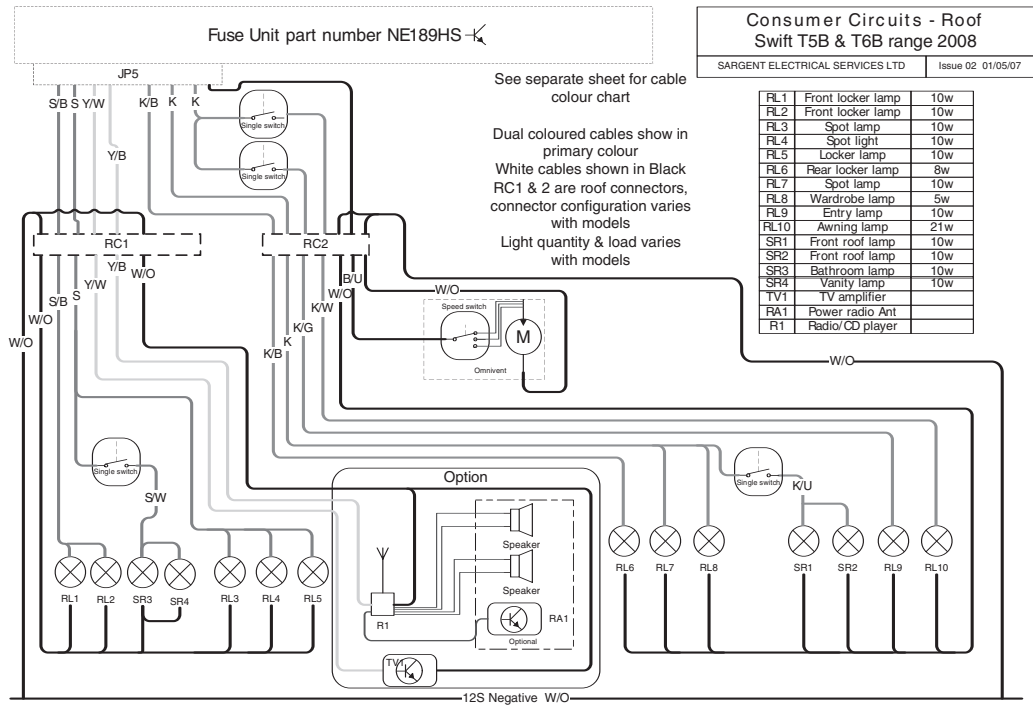
†Note on awning sizes: Due to the varying awning designs and sizes the awning sizes given are approximate only. Specific awning sizes must be confirmed by your dealer or the awning manufacturer prior to purchase.

Wiring Diagrams

ELITE RANGE - ROAD LIGHTING

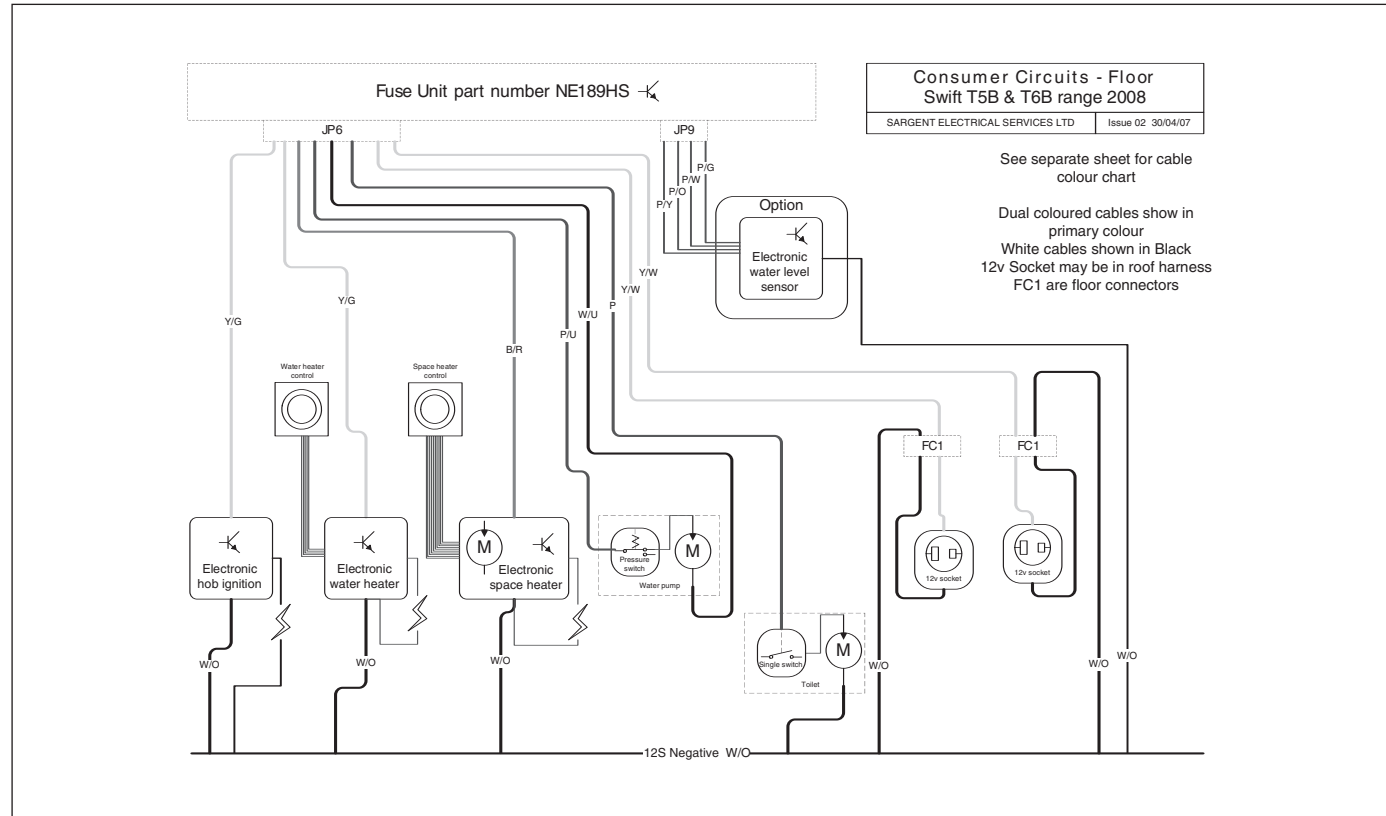


ELITE RANGE - CONSUMER CIRCUITS - ROOF

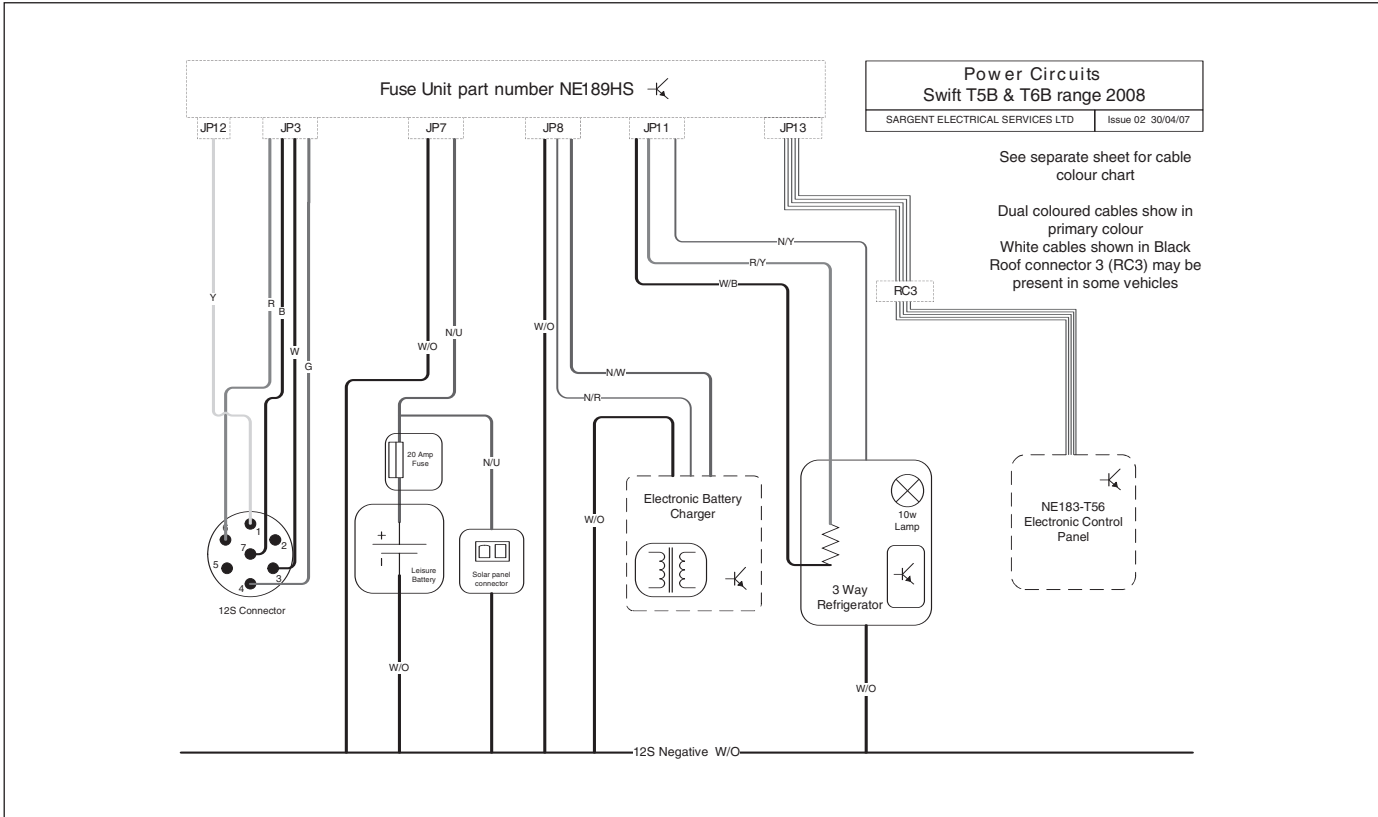


Wiring Diagrams

ELITE RANGE - CONSUMER CIRCUITS – FLOOR

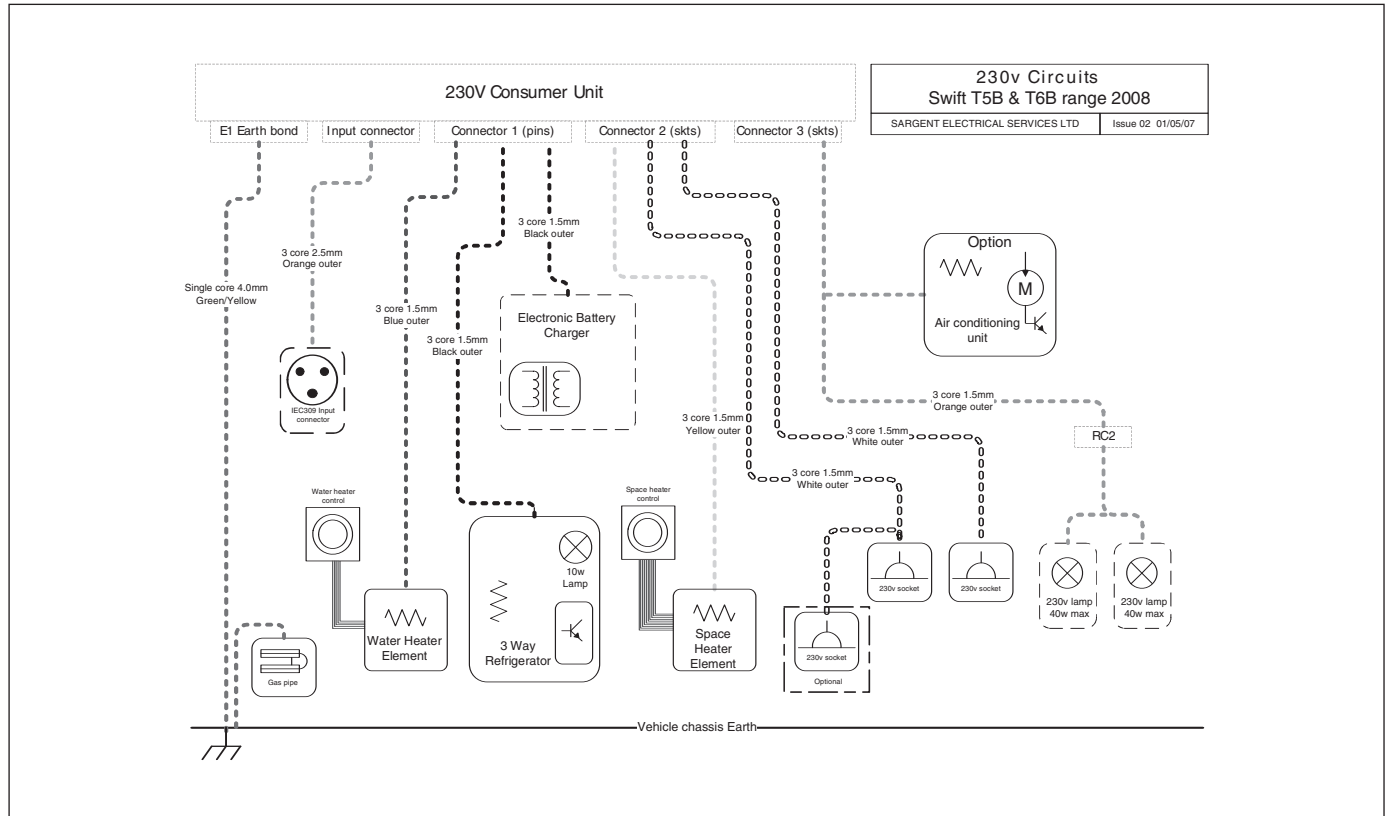


ELITE RANGE - POWER CIRCUITS

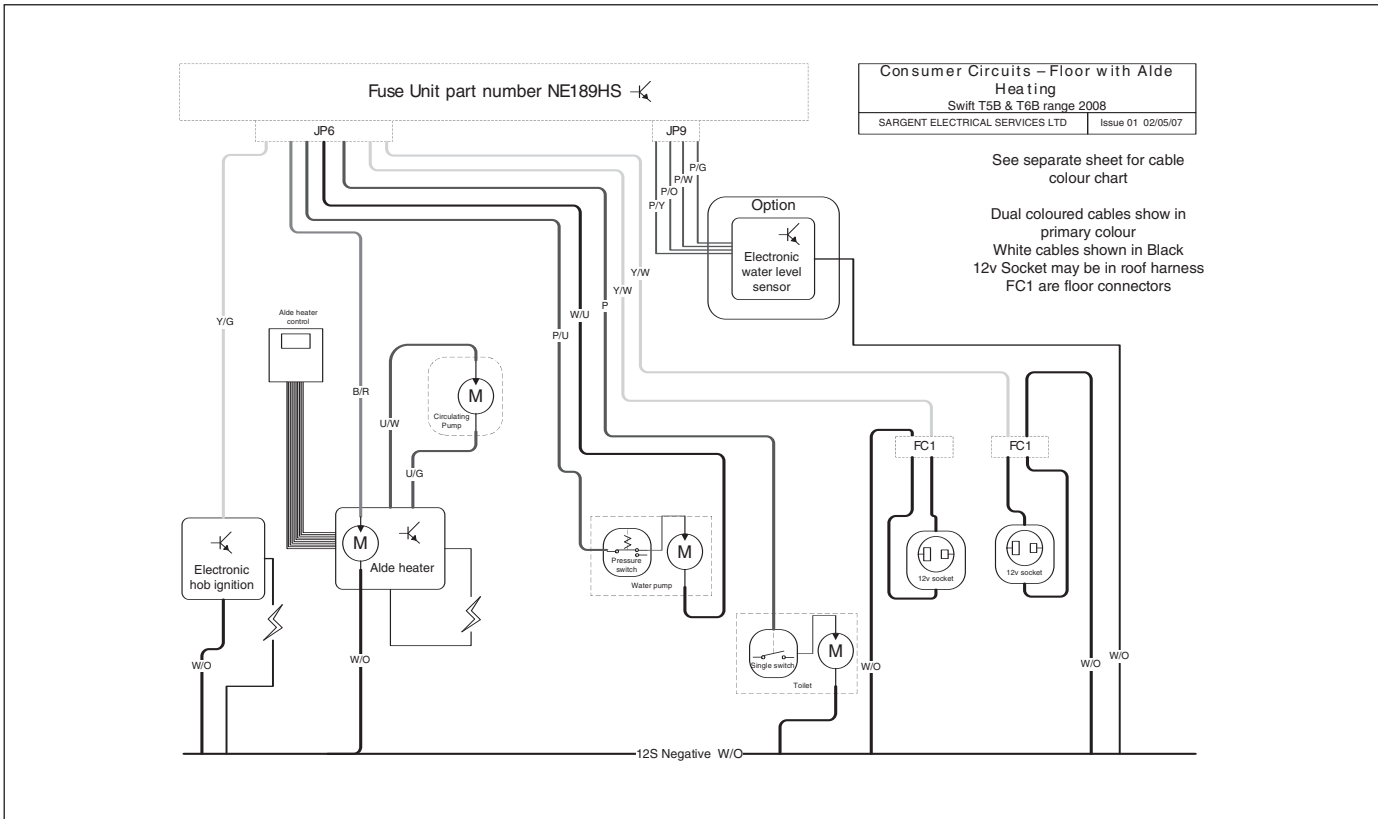


Wiring Diagrams

ELITE RANGE - 230V CIRCUITS

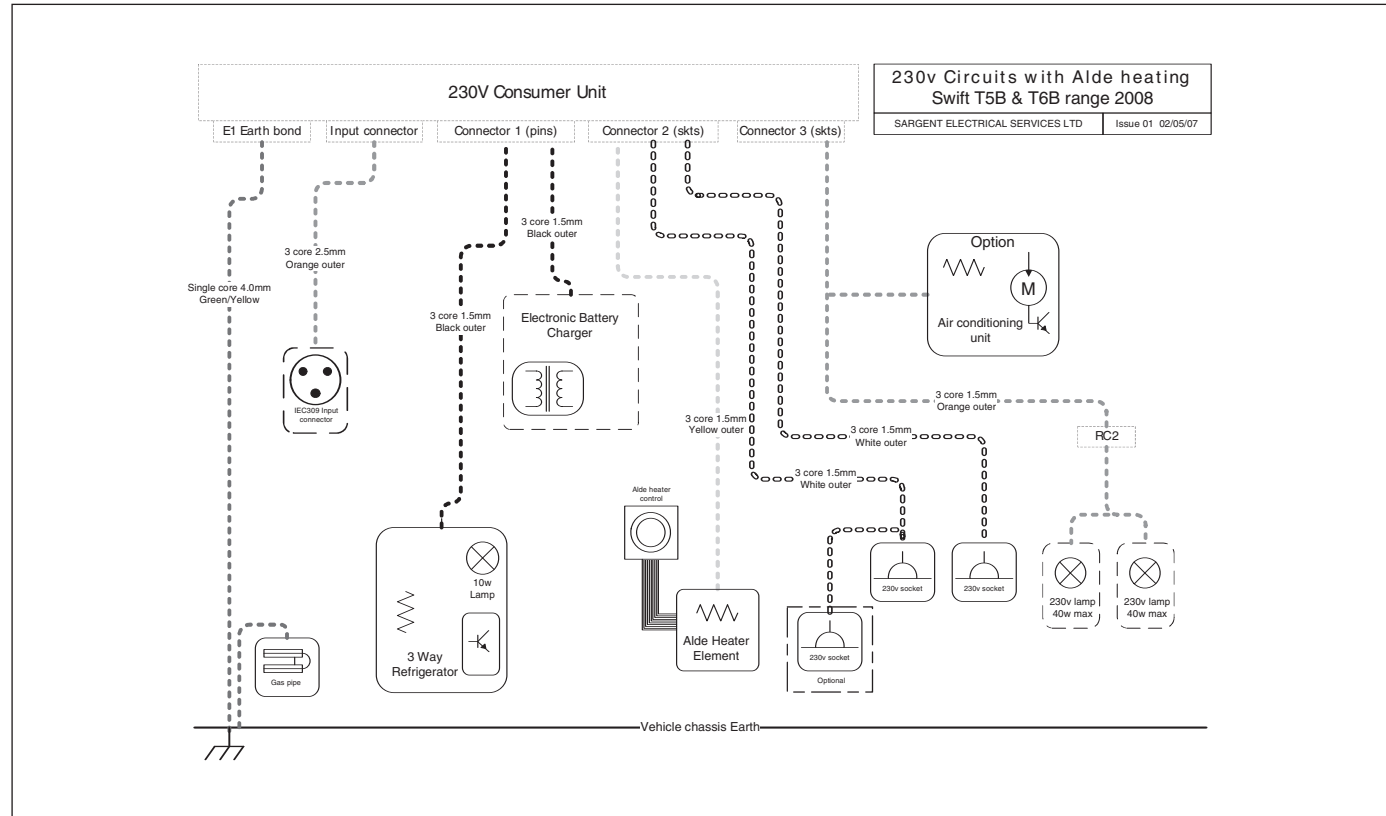


ELITE RANGE - CONSUMER CIRCUITS – FLOOR WITH ALDE HEATING



Wiring Diagrams

ELITE RANGE - 230V CIRCUITS WITH ALDE HEATING



ELITE RANGE - CABLE COLOUR CHART

Cable Colour Chart Swift range 2007	
SARGENT ELECTRICAL SERVICES LTD	Issue 01 1/1/07

12v Cable Colours

B	BLACK
N	BROWN
R	RED
O	ORANGE
Y	YELLOW
G	GREEN
U	BLUE
P	PURPLE
S	SLATE GREY
W	WHITE
K	PINK

230v Cable Colours

B	BLACK
N	BROWN
W	WHITE
O	ORANGE
Y	YELLOW
G	GREEN
U	BLUE

Bulb Replacement

	TYPE	RATING	ELITE		
ROAD LIGHTS					
Front marker lights	W5W	12v 5w	✓		
Side marker	C5W	12v 5w	✓		
Reversing light	P21	12v 21w	✓		
Rear indicator light	P21	12v 21w	✓		
Brake / tail light	P21/5W	12v 21w / 5w	✓		
Fog light	P21	12v 21w	✓		
Number plate light	C5W	12v 5w	✓		
High level brake light	2DA 343 800-007	LED	✓		
INTERIOR/OTHER					
Awning light	P21W	12v 20w	✓		
Spot / reading lights	GU5.3/MR16 Dichroic	GU5.3 12v 10w	✓		
Downlighters	Halogen capsule	G4 12v 10w	✓		
Round ceiling lights small white	Halogen capsule	G4 12v 10w	✓		
Kitchen light	Fluorescent 300mm	12v 8w	✓		
Mains lights	Small screw	230v 40w	✓		

Note: Not all bulbs and lights feature on all models within a range