



The Hallmark of Excellence

Sterling Caravans, Dunswell Road,
Cottingham, East Yorkshire HU16 4JX.
Tel: 01482 875740
Fax: 01482 840082
email: enquiry@swiftleisure.co.uk
website: www.sterlingcaravans.co.uk

A MEMBER OF THE SWIFT GROUP

1079645 issued November 2007



Specification, Wiring Diagrams & Bulb Chart

Europa



CONTENTS

Specification	2-3
Europa 460, 470, 495, 520 & 540:	
Wiring Diagrams - Road Lights	4
Wiring Diagrams - Internal Wiring - 12V	5
Wiring Diagrams - Internal Wiring - 230V	6
Europa 530, 600, 610, 620 & 650:	
Road Lights	7
Consumer Circuits - Roof	8
Consumer Circuits - Floor	9
Power Circuits	10
230V Circuits	11
Cable Colour Chart	12
 Bulb Replacement	 13

Specifications

Europa	Europa 460		Europa 470		Europa 530	Europa 495	Europa 520
Berths	2		4		5	4	4
Axles	1		1		1	1	1
Internal Length (bed box height)	4.67m/15'4"		4.74m/15'7"		5.60m/18'4"	5.50m/18'1"	5.23m/17'2"
Overall Width	2.23m/7'4"		2.23m/7'4"		2.23m/7'4"	2.29m/7'6"	2.23m/7'4"
Overall Height (inc. TV Aerial)	2.70m/8'10"		2.70m/8'10"		2.70m/8'10"	2.70m/8'10"	2.70m/8'10"
Maximum Internal Headroom	1.95m/6'5"		1.95m/6'5"		1.95m/6'5"	1.95m/6'5"	1.95m/6'5"
Overall Length	6.35m/20'10"		6.42m/21'1"		7.28m/23'11"	7.18m/23'7"	6.91m/22'8"
Mass in Running Order (inc. tolerance)	1118kg/22.0cwt		1112kg/21.9cwt		1273kg/25.1cwt	1254kg/24.7cwt	1222kg/24.1cwt
Essential Habitation Equipment Payload	68kg/1.3cwt		68kg/1.3cwt		68kg/1.3cwt	68kg/1.3cwt	68kg/1.3cwt
Personal Effects Payload	104kg/2.0cwt		125kg/2.5cwt		144kg/2.8cwt	133kg/2.6cwt	130kg/2.6cwt
Optional Equipment Payload	5kg/0.1cwt		5kg/0.1cwt		5kg/0.1cwt	5kg/0.1cwt	5kg/0.1cwt
Total user Payload	177kg/3.4cwt		198kg/3.9cwt		217kg/4.2cwt	206kg/4.0cwt	203kg/4.0cwt
Maximum Technical Permissible Laden Mass (DECLARED)	1295kg/25.4cwt		1310kg/25.8cwt		1490kg/29.3cwt	1460kg/28.7cwt	1425kg/28.1cwt
Maximum Technical Permissible Laden Mass (POSSIBLE)	1350kg/26.6cwt		1350kg/26.6cwt		1500kg/29.5cwt	1500kg/29.5cwt	1500kg/29.5cwt
Awning A/A dimension†	8.88m/29'2"		8.95m/29'4"		9.81m/32'2"	9.71m/31'10"	9.44m/31'0"
Tyre Size**	195/70 r14 96	175 r14 99	195/70 r14 96	175 r14 99	175 r14 99	175 r14 99	175 r14 99
Tyre pressure at DECLARED MTPLM**	42 psi	55 psi	42 psi	55 psi	65 psi	65 psi	62 psi
Tyre pressure at POSSIBLE MTPLM**	44 psi	58 psi	44 psi	58 psi	65 psi	65 psi	65 psi
Static Load on Coupling Head	100kg		100kg		100kg	100kg	100kg
Thermal Insulation Grade	TWO		TWO		TWO	TWO	TWO
Bed Sizes							
Front Double	208cm x 180cm/6'10" x 5'11"		208cm x 134cm/6'10" x 4'5"		208cm x 180cm/6'10" x 5'11"	213cm x 159cm/7'0" x 5'3"	208cm x 180cm/6'10" x 5'11"
or One Single	180cm x 72cm/5'11" x 2'4"				180cm x 72cm/5'11" x 2'4"	167cm x 72cm/5'6" x 2'4"	190cm x 72cm/6'3" x 2'4"
and One Single	190cm x 72cm/6'3" x 2'4"				190cm x 72cm/6'3" x 2'4"	159cm x 72cm/5'3" x 2'4"	180cm x 72cm/5'11" x 2'4"
Rear Double			188cm x 138cm/6'2" x 4'6"		208cm x 124cm/6'10" x 4'1"	192cm x 138cm/6'4" x 4'6"	
Rear Bunk					190cm x 56cm/6'3" x 1'10"		
Side Single (offside)							180cm x 70cm/5'11" x 2'4"
Side Single (nearside)							
Side Bunk							176cm x 59cm/5'9" x 1'11"
Rear Fixed Lower Bunk							
Rear Fixed Upper Bunk							
Side Fixed Lower Bunk							
Side Fixed Upper Bunk							

Bed sizes: Please note that double bed sizes are quoted with wrap round seating.

†**Note on awning sizes:** Due to the varying awning designs and sizes the awning sizes given are approximate only. Specific awning sizes must be confirmed by your dealer or the awning manufacturer prior to purchase.

**Check the loading on the side wall of the tyre before adjusting tyre pressure, replacing or purchasing a spare wheel and tyre. All tyres on the caravan must be of an identical size and load rating.

Specifications

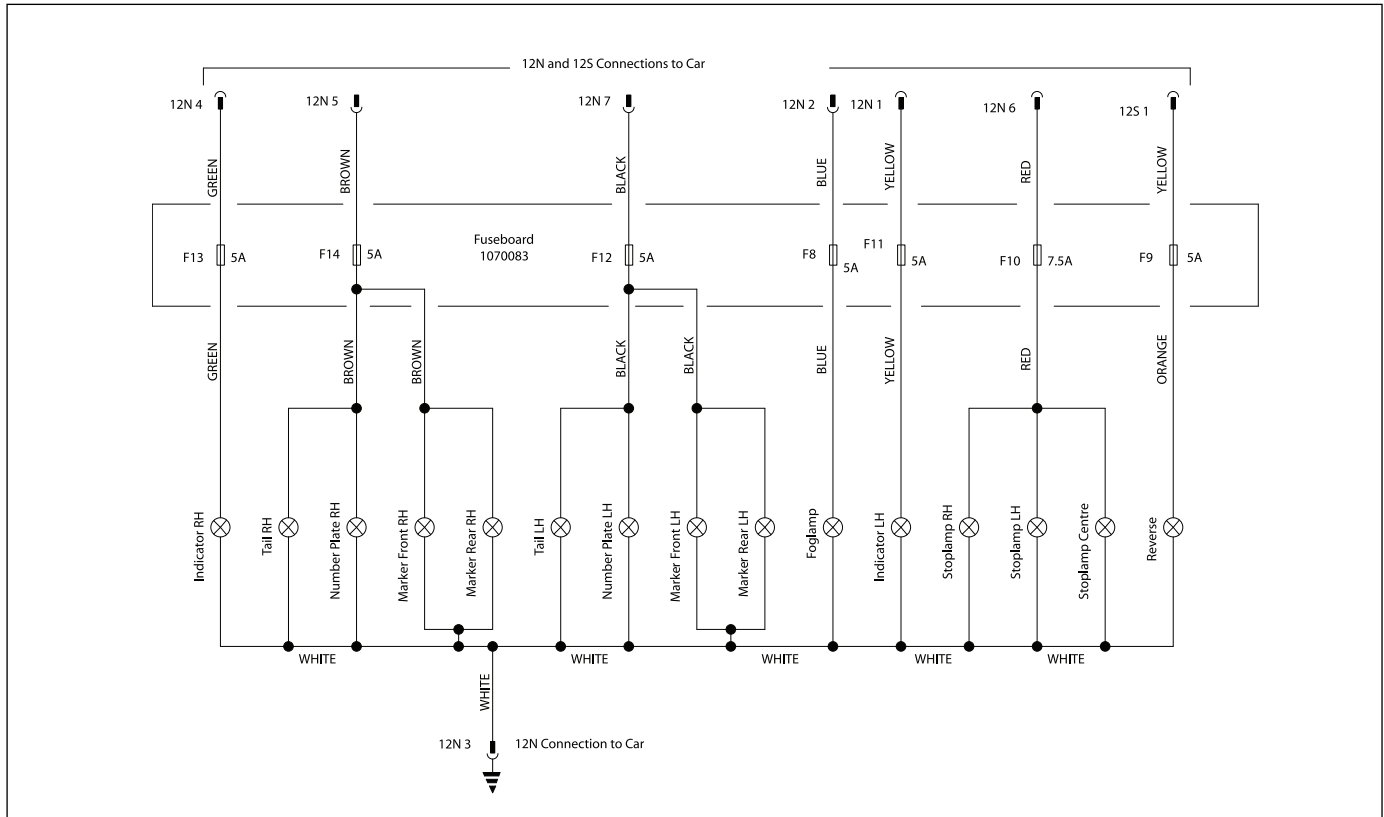
Europa	Europa 540	Europa 600	Europa 610	Europa 620	Europa 650
Berths	6	6	4	4	6
Axles	1	2	2	2	2
Internal Length (bed box height)	5.50m/18'1"	6.27m/20'7"	6.27m/20'7"	6.27m/20'7"	6.27m/20'7"
Overall Width	2.23m/7'4"	2.23m/7'4"	2.29m/7'6"	2.29m/7'6"	2.29m/7'6"
Overall Height (inc. TV Aerial)	2.70m/8'10"	2.70m/8'10"	2.70m/8'10"	2.70m/8'10"	2.70m/8'10"
Maximum Internal Headroom	1.95m/6'5"	1.95m/6'5"	1.95m/6'5"	1.95m/6'5"	1.95m/6'5"
Overall Length	7.18m/23'7"	7.95m/26'1"	7.95m/26'1"	7.95m/26'1"	7.95m/26'1"
Mass in Running Order (inc. tolerance)	1269kg/25.0cwt	1430kg/28.1cwt	1425kg/28.0cwt	1435kg/28.2cwt	1480kg/29.1cwt
Essential Habitation Equipment Payload	68kg/1.3cwt	104kg/2.0cwt	104kg/2.0cwt	104kg/2.0cwt	104kg/2.0cwt
Personal Effects Payload	153kg/3.0cwt	160kg/3.1cwt	140kg/2.8cwt	140kg/2.8cwt	160kg/3.1cwt
Optional Equipment Payload	10kg/0.2cwt	6kg/0.1cwt	6kg/0.1cwt	6kg/0.1cwt	6kg/0.1cwt
Total user Payload	231kg/4.5cwt	270kg/5.2cwt	250kg/4.9cwt	250kg/4.9cwt	270kg/5.2cwt
Maximum Technical Permissible Laden Mass (DECLARED)	1500kg/29.5cwt	1700kg/33.3cwt	1675kg/32.9cwt	1685kg/33.1cwt	1750kg/34.3cwt
Maximum Technical Permissible Laden Mass (POSSIBLE)	1500kg/29.5cwt	1800kg/35.4cwt	1800kg/35.4cwt	1800kg/35.4cwt	1800kg/35.4cwt
Awning A/A dimension†	9.71m/31'10"	10.48m/34'5"	10.48m/34'5"	10.48m/34'5"	10.48m/34'5"
Tyre Size	175 r14 99	175/65 r14 82	175/65 r14 82	175/65 r14 82	175/65 r14 82
Tyre pressure at DECLARED MTPLM	65 psi	34 psi	34 psi	34 psi	34 psi
Tyre pressure at POSSIBLE MTPLM	65 psi	36 psi	36 psi	36 psi	36 psi
Static Load on Coupling Head	100kg	100kg	100kg	100kg	100kg
Thermal Insulation Grade	TWO	TWO	TWO	TWO	TWO
Bed Sizes					
Front Double	208cm x 180cm/6'10" x 5'11"	208cm x 180cm/6'10" x 5'11"	213cm x 167cm/7'0" x 5'6"	213cm x 167cm/7'0" x 5'6"	213cm x 190cm/7'0" x 6'3"
or One Single	180cm x 72cm/5'11" x 2'4"	180cm x 72cm/5'11" x 2'4"	167cm x 72cm/5'6" x 2'4"	167cm x 72cm/5'6" x 2'4"	190cm x 72cm/6'3" x 2'4"
and One Single	180cm x 72cm/5'11" x 2'4"	190cm x 72cm/6'3" x 2'4"	190cm x 72cm/6'3" x 2'4"	190cm x 72cm/6'3" x 2'4"	190cm x 72cm/6'3" x 2'4"
Rear Double			186cm x 134cm/6'1" x 4'5"	190cm x 137cm/6'3" x 4'6"	213cm x 178cm/7'0" x 5'10"
Rear Bunk					
Side Single (offside)					189cm x 71cm/6'2" x 2'4"
Side Single (nearside)	180cm x 70cm/5'11" x 2'4"	180cm x 70cm/5'11" x 2'4"			178cm x 71cm/5'10" x 2'4"
Side Bunk	178cm x 59cm/5'10" x 1'11"	176cm x 59cm/5'9" x 1'11"			176cm x 59cm/5'9" x 1'11"
Rear Fixed Lower Bunk	180cm x 62cm/5'11" x 2'1"				164cm x 59cm/5'5" x 1'11"
Rear Fixed Upper Bunk	184cm x 60cm/6'0" x 2'0"				
Side Fixed Lower Bunk		180cm x 56cm/5'11" x 1'10"			
Side Fixed Upper Bunk		180cm x 58cm/5'11" x 1'11"			

Bed sizes: Please note that double bed sizes are quoted with wrap round seating.

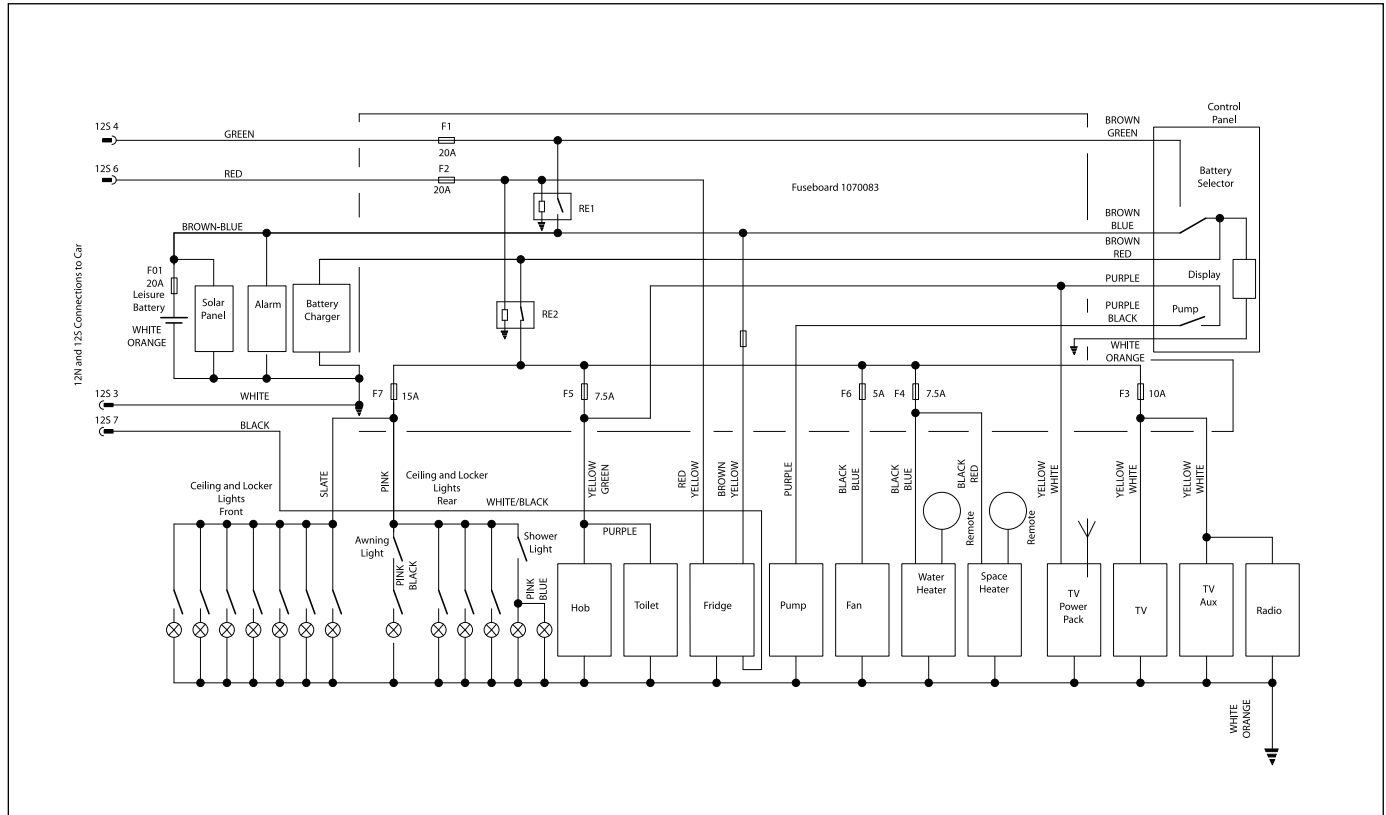
†Note on awning sizes: Due to the varying awning designs and sizes the awning sizes given are approximate only. Specific awning sizes must be confirmed by your dealer or the awning manufacturer prior to purchase.

Wiring Diagrams

EUROPA RANGE - ROAD LIGHTS (EUROPA 460, 470, 495, 520 & 540)

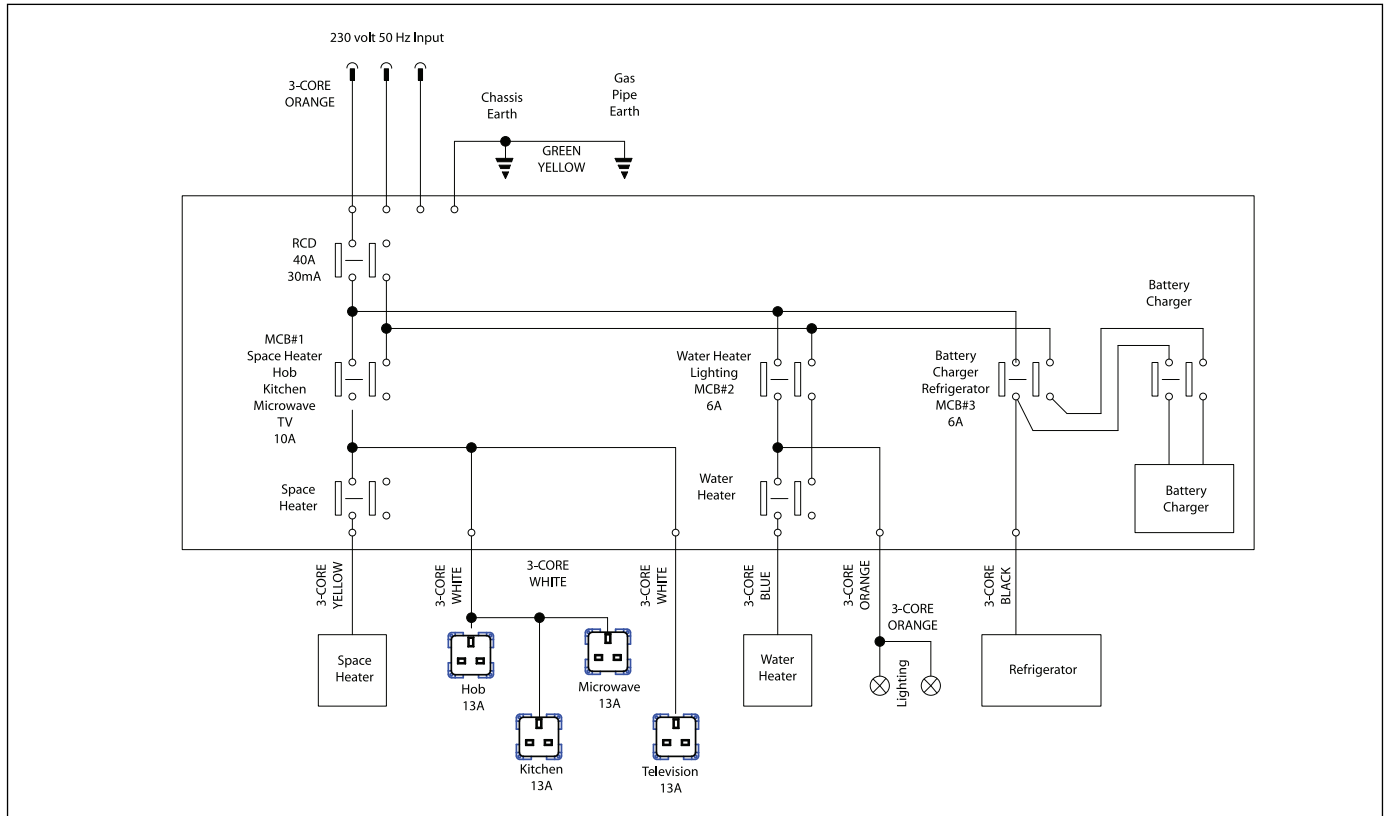


EUROPA RANGE - 12V (EUROPA 460, 470, 495, 520 & 540)



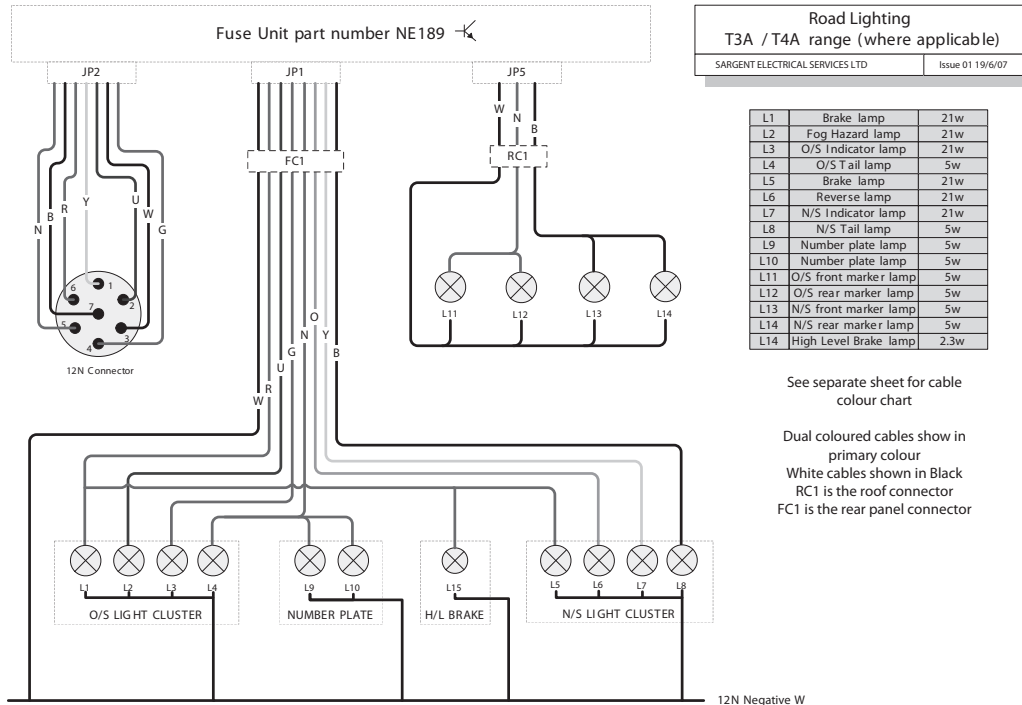
Wiring Diagrams

EUROPA RANGE - 230V (EUROPA 460, 470, 495, 520 & 540)



Wiring Diagrams

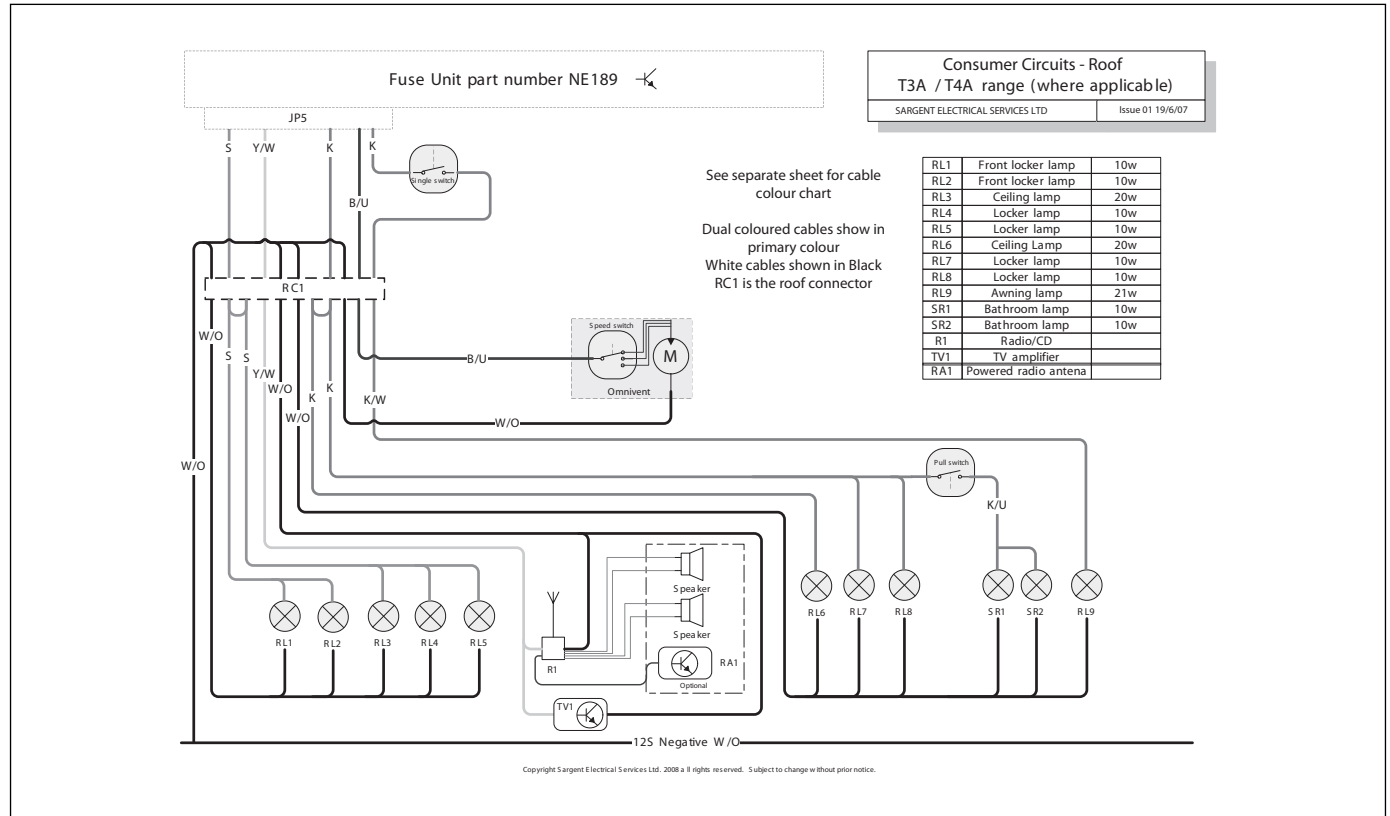
EUROPA RANGE - ROAD LIGHTING (EUROPA 530, 600, 610, 620 & 650)



Copyright Sargent Electrical Services Ltd. 2008 all rights reserved. Subject to change without prior notice.

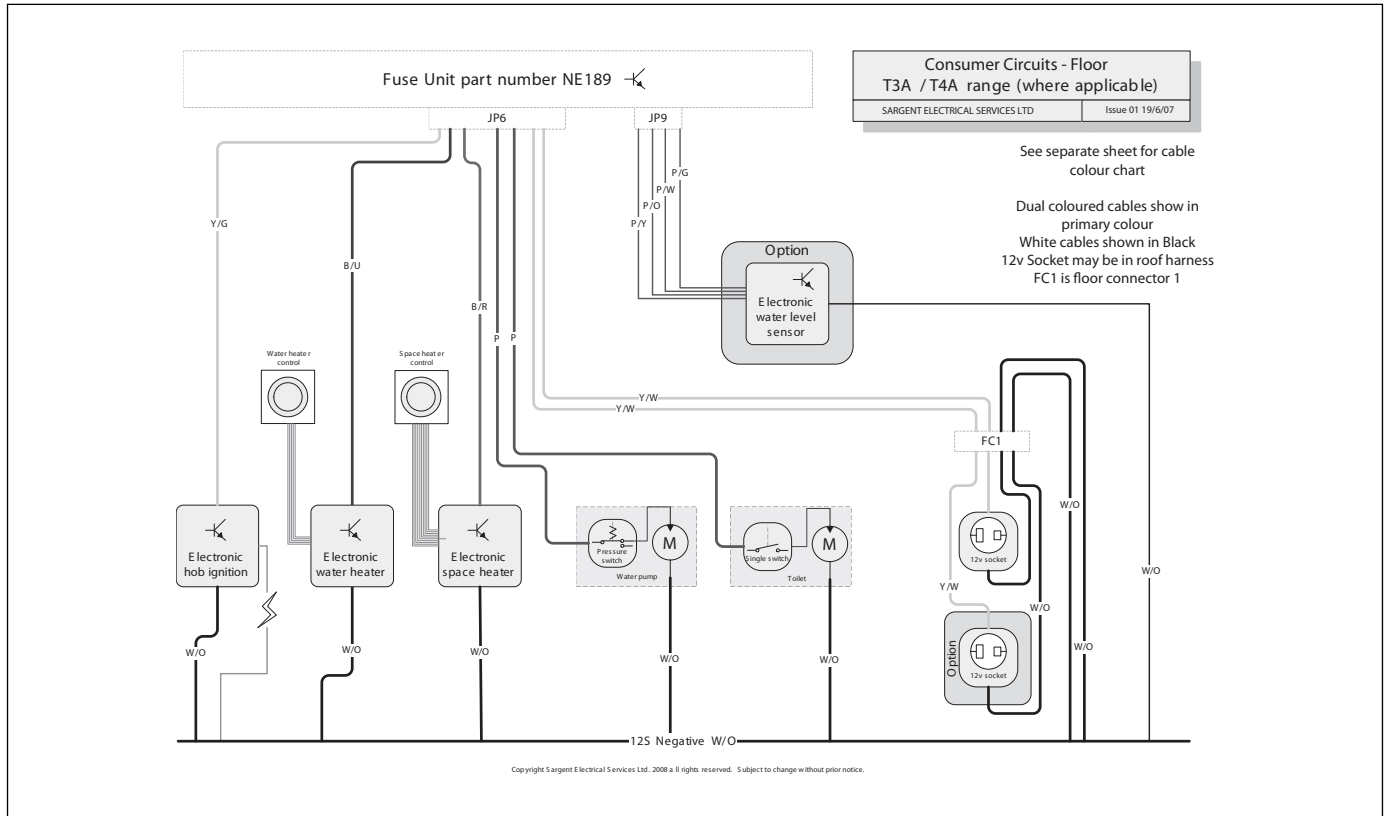
Wiring Diagrams

EUROPA RANGE - CONSUMER CIRCUITS - ROOF (EUROPA 530, 600, 610, 620 & 650)



Wiring Diagrams

EUROPA RANGE - CONSUMER CIRCUITS - FLOOR (EUROPA 530, 600, 610, 620 & 650)

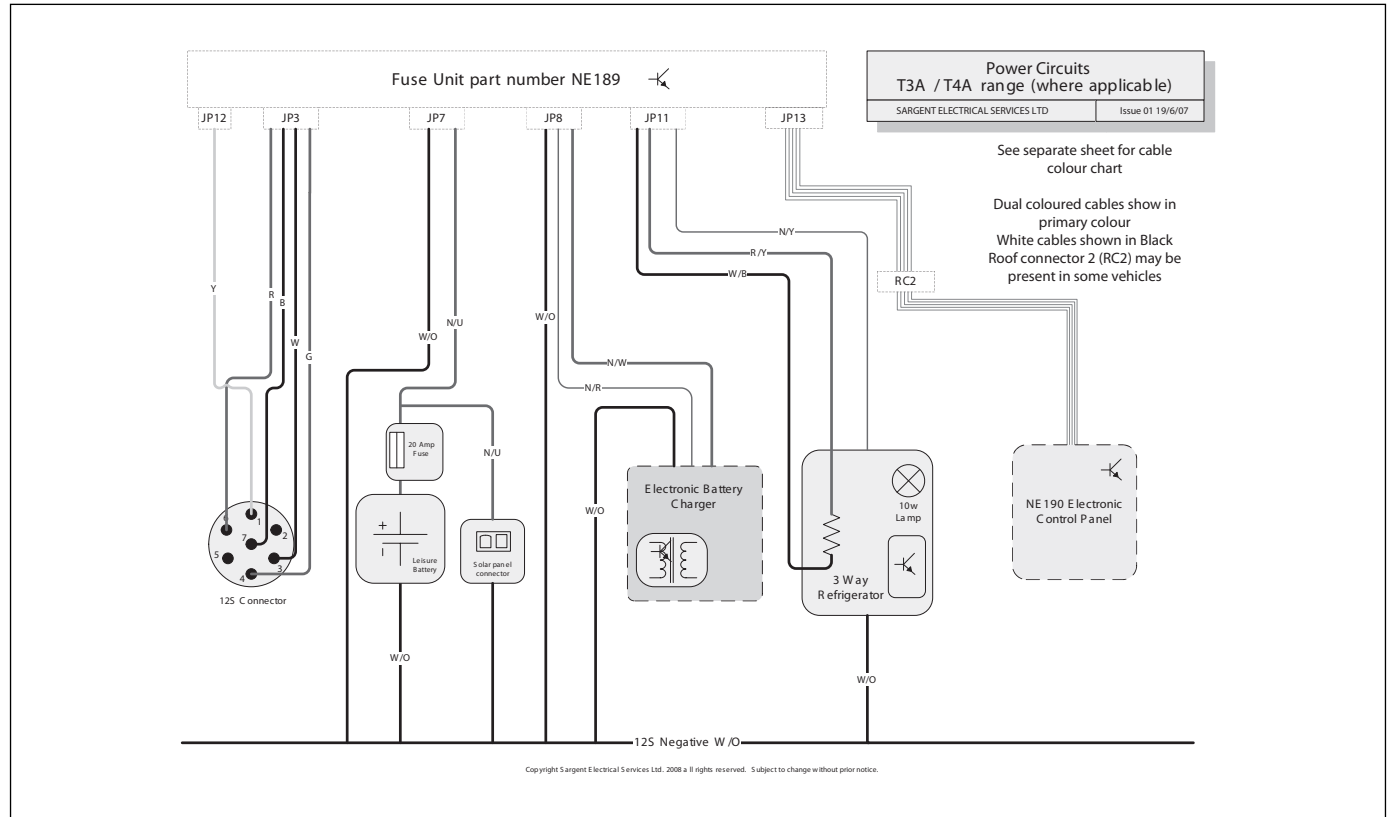


See separate sheet for cable colour chart

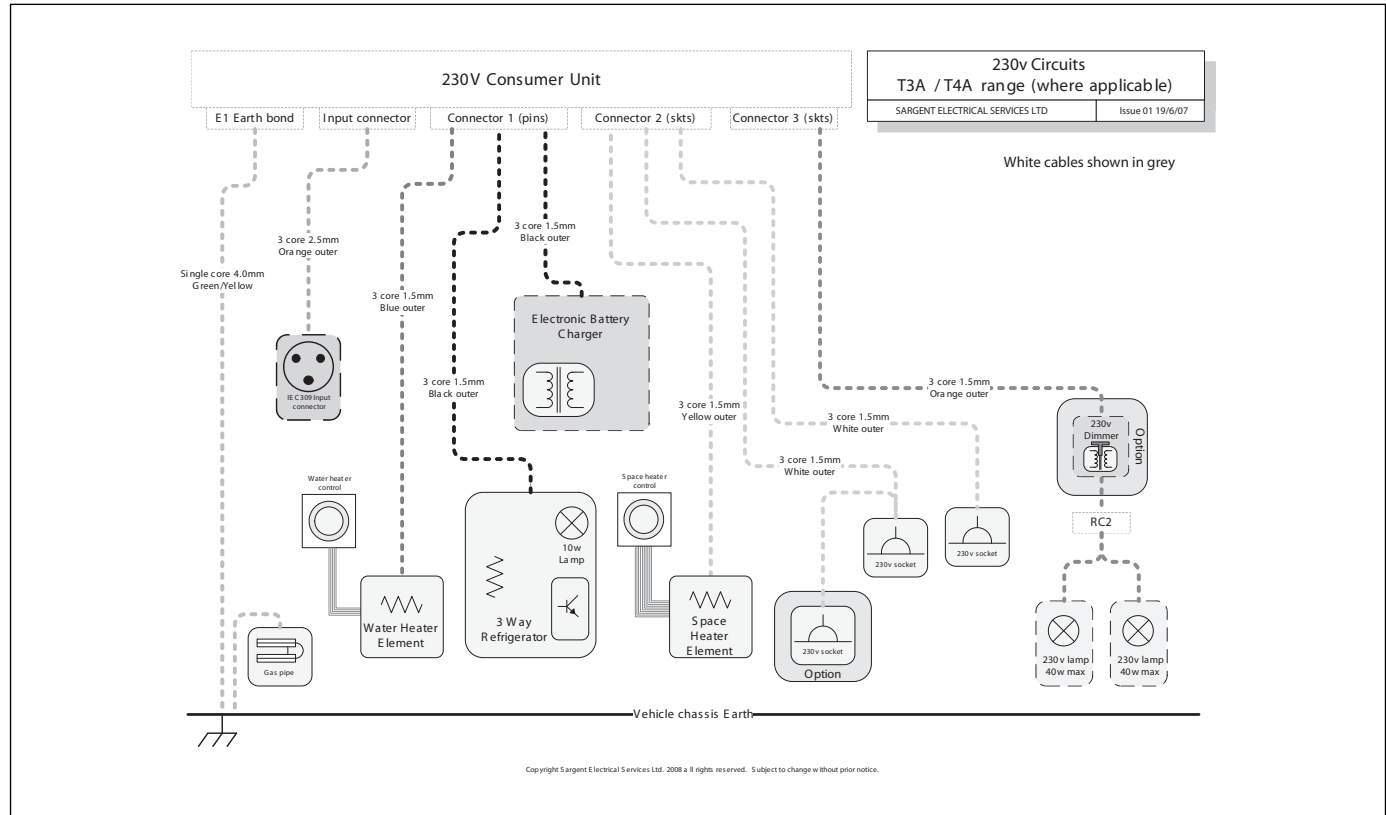
Dual coloured cables show in primary colour
White cables shown in Black
12v Socket may be in roof harness
FC1 is floor connector 1

Wiring Diagrams

EUROPA RANGE - POWER CIRCUITS (EUROPA 530, 600, 610, 620 & 650)

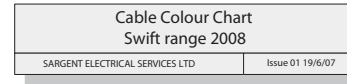


EUROPA RANGE - 230V CIRCUITS (EUROPA 530, 600, 610, 620 & 650)



Wiring Diagrams

EUROPA RANGE - CABLE COLOUR CHART (EUROPA 530, 600, 610, 620 & 650)



12v Cable Colours

B	BLACK
N	BROWN
R	RED
O	ORANGE
Y	YELLOW
G	GREEN
U	BLUE
P	PURPLE
S	SLATE GREY
W	WHITE
K	PINK

230v Cable Colours

B	BLACK
N	BROWN
W	WHITE
O	ORANGE
Y	YELLOW
G	GREEN
U	BLUE

Bulb Replacement

	TYPE	RATING	EUROPA		
ROAD LIGHTS					
Front marker lights	W5W	12v 5w	✓		
Side marker	C5W	12v 5w	✓		
Reversing light	P21	12v 21w	✓		
Rear indicator light	PY21W Orange bulb	12v 21w	✓		
Brake / tail light	P21/5W	12v 21w / 5w	✓		
Fog light	P21	12v 21w	✓		
Number plate light	C5W	12v 5w	✓		
High level brake light	T5/13.5	12v 2.3w	✓		
INTERIOR/OTHER					
Awning light	P21W	12v 20w	✓		
Spot / reading lights	GU4/MR11 Dichroic	GU4 12v 10w	✓		
Round ceiling lights single bulb	Halogen capsule	G4 12v 20w	✓		
Round ceiling lights twin bulb	Halogen capsule	G4 12v 10w	✓		
Small white round ceiling light	Halogen capsule	G4 12v 10w	✓		
Kitchen light	Fluorescent 300mm	12v 8w	✓		
Mains lights	Small screw	230v 40w	✓		

Note: Not all bulbs and lights feature on all models within a range