

AUTOCRUISE

2008 SPECIFICATION, WIRING DIAGRAMS & BULB CHART



Autocruise Motorhomes Ltd, Swinton Meadows Industrial Estate,
Meadow Way, Swinton, Mexborough, South Yorkshire S64 8AB

Tel: 01709 571411 Fax: 01709 579292 Email: sales@autocruise.co.uk

www.autocruise.co.uk

PAGE CAMPER VAN

Specifications - Peugeot and Fiat	1
Capacities and towing capability	2
Jacking points	3
Pace wiring diagrams	4
Bulb chart	9
12V fuse identification	10
Thetford N80 Refrigerator.....	11
SMEV mini grill & hot plate.....	20

SPECIFICATIONS - PEUGEOT & FIAT

TECHNICAL SPECIFICATIONS	Pace (Peugeot)		Pace (Fiat)	
	Engine Power	120 Hdi	157 Hdi	120Mj
Engine Capacity	2.2L	3L	2.2L	3L
Chassis	Boxer 335		Ducato 35L	
Roof Profile	Medium Height Van		Medium Height Van	
Wheel base	4.04m/13'3"		4.04m/13'3"	
Designated Passenger Seats	3		3	
Berths (Sleeping Position)	3		3	
Overall Length (No Ladder)	6.19m/20'4"		6.19m/20'4"	
Overall Width (Mirrors Folded)	2.25m/7'5"		2.25m/7'5"	
Overall Height	2.55m/8'5"		2.55m/8'5"	
Maximum Technical Permissible Laden Mass (A)	3500kg		3500kg	
Mass in Running Order (B)*	2895kg	2962kg	2895kg	2962kg
Maximum User Payload (A-B)	605kg	538kg	605kg	538kg
Unladen Weight	2740kg	2807kg	2740kg	2807kg
Essential Habitation Equipment	86kg		86kg	
Thermal Insulation Grade	TWO		TWO	
BED SIZES				
Front Double				
Front Nearside Single				
Front Offside Single	1.73m x 0.90m/5'8" x 2'11"		1.73m x 0.90m/5'8" x 2'11"	
Rear Double	1.92m x 1.35m/6'4" x 4'5"		1.92m x 1.35m/6'4" x 4'5"	
Rear Nearside Single				
Rear Offside Single				
Overcab Bed				

*The Mass in Running Order is the mass of the unladen vehicle including a 75kg allowance for the driver plus engine coolants and 90% of the fuel tank

CAPACITIES AND TOWING CAPABILITY

TANK SPECIFICATIONS	Pace
Fresh Water Tank	66L
Waste Water Tank	50L
Water Heater	10L
Toilet Tank (Flushing)	0
Gas Locker Capacity	2x7kg

Notice

For technical data on the base vehicle please refer to manufacturer's handbook

Autocruise Camper Van Capabilities	Pace
MTPLM	3500kg
Permissible Front Axle Load	1850kg
Permissible Rear Axle Load	2000kg
Recommended Maximum Trailer Weight	2500kg
Gross Train Weight	6000kg

To ensure adequate road holding, the load on the front axle, under all conditions, must not be less than 40% or more than 70% of the total weight.

Care must be taken when distributing loads. The loadings above are maximum loadings and must not be exceeded under any circumstances.

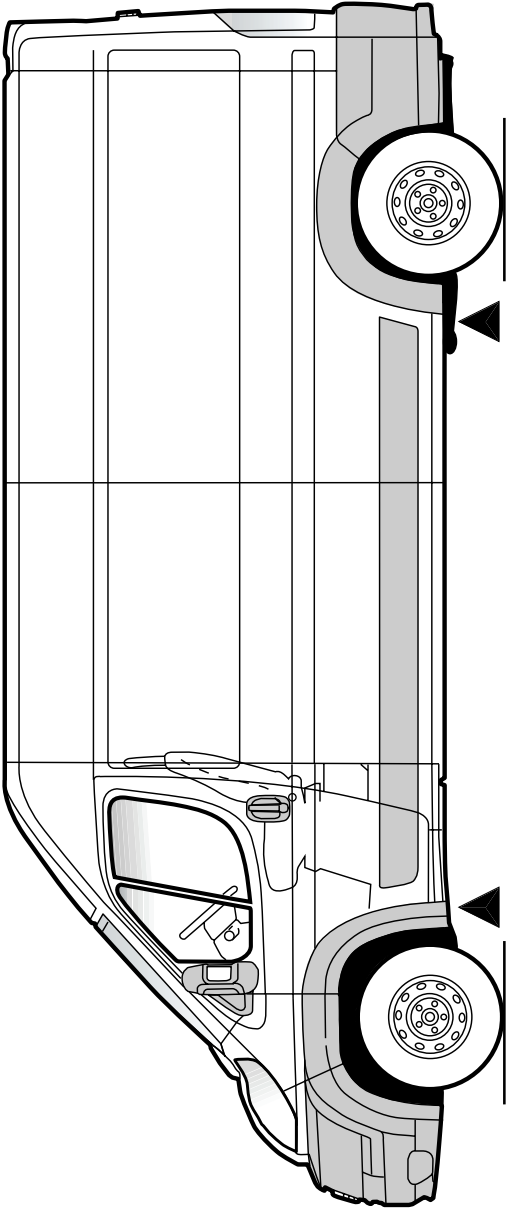
For spare wheel removal please refer to Peugeot handbook.

CAUTION:

When fitting a towbar, it must meet certain minimum requirements as specified by Type Approval Regulations. The bar will have marked on it the approval standard (94/20/EC) and the maximum download, or noseweight, that it can accept. It must fit the manufacturer's approved mounting points and must not obscure the towing vehicle's number plate.

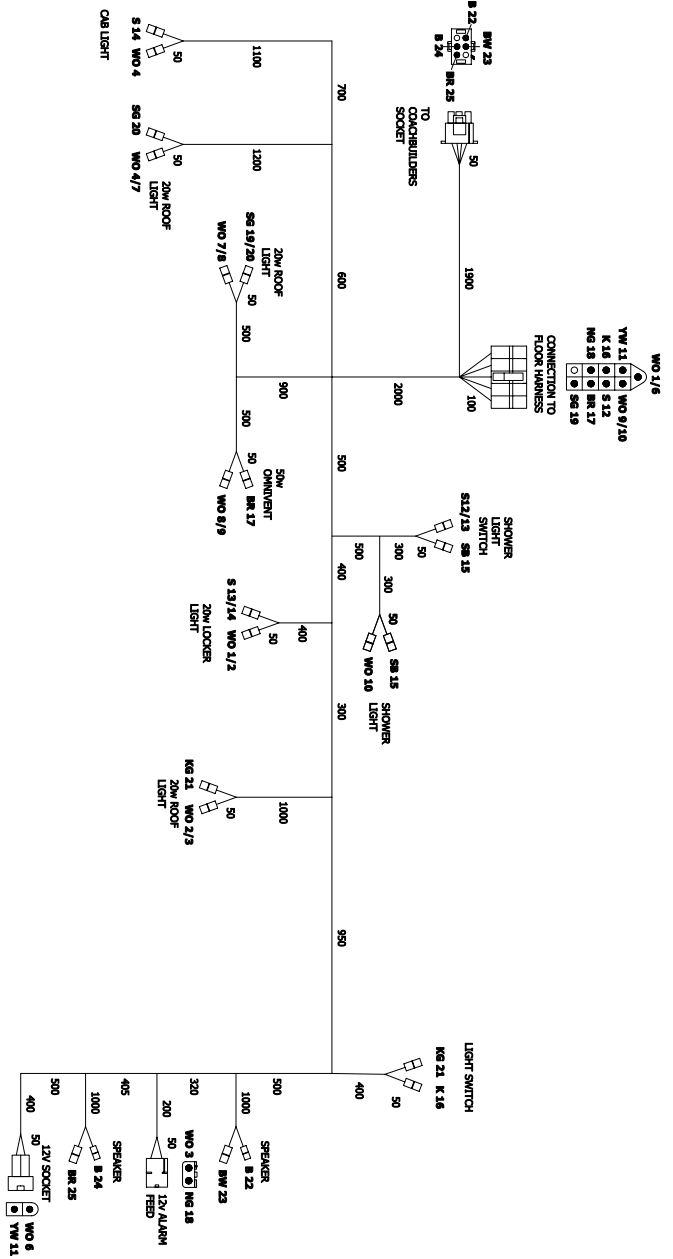
Rear step requires removing if tow bar is fitted.

JACKING POINTS



Jacking Points: ▼

PAGE WIRING DIAGRAM - ROOF



BULB CHART

EXTERIOR LIGHTS	BULB REFERENCE	BULB RATING	PART NO
Front marker lights	N/A	N/A	N/A
High level stop lamp	W5w	5W	N/A
Rear high level marker light	N/A	N/A	N/A
Rear indicator lamp	P21W	12V 21W	N/A
Rear stop/tail lamp	P21W/5W	12V 21W/5W	N/A
Rear reverse lamp	P21W	12V 21W	N/A
Rear fog lamp	P21W	12V 21W	N/A
Number plate lamp	C5w	12V 5W	N/A
LED awning light	LED	LED	ED 1374

INTERIOR LIGHTS	BULB REFERENCE	BULB RATING	PART NO
Locker spotlights	GU4/MR11	GU4 12V 5W	N/A
Front locker fluorescent lamp	300mm fluorescent tube	12V 8W	N/A
Washroom lights	Halogen capsule	G4 12v 10W	N/A
Entrance step light	Halogen capsule	G4 12v 10W	N/A
Ceiling oval light	Kandolite 9W/840	12V 9W	N/A
Mains bulkhead lights		N/A	N/A

12V FUSE IDENTIFICATION

FUSE	RATING	WIRE COLOURS & FUNCTION
1	10A	Slate = Front roof lights
2	10A	Pink = Rear roof lights
3	10A	Yellow-white = 12v sockets
4	7.5A	Purple = Toilet / Internal pump
5	10A	Black-red & black-green = Omnivent / Heater / Hob ignition
6	15A	Red-yellow = Fridge
7	20A	Brown-green = Step
8	5A	Brown-green = Alarm / Display / Relay windings

THETFORD N80 REFRIGERATOR

THETFORD ABSORBER REFRIGERATORS**Attention: Do not operate the water heater without water in it!**

This user's information is for N80 models of Thetford absorption refrigerators. It explains how to use your refrigerator correctly and safely. Read the manual carefully before using the refrigerator for the first time to obtain a quick overview of how to operate and use the refrigerator.

Thetford absorption refrigerators are specially designed to store fresh and frozen food and make ice cubes in caravans and campers. The control panel allows you to select the preferred energy source and cooling level.

Different energy sources allow you to use your refrigerator under different conditions.

Thetford absorption refrigerators belong to category C11: gas appliances that must be installed so that the combustion area is isolated from the living space.

To find out more about how your absorption refrigerator works, visit the website at www.thetford-europe.com.

PRECAUTIONS AND SAFETY INSTRUCTIONS**Alerts**

The following alerts are used in this user's manual:

Warning! "Warning" alerts the user to the danger of damage to the product or to the user if the user fails to carry out the described procedures carefully.

Non-observance of the procedures may result in serious injury to the user or damage to the product.

Caution! "Caution" alerts the user to the possibility of damage to the product if the user fails to carry out the described procedures carefully.

Important! "Important" denotes supplementary information for the user and alerts the user to potential problems.

Warnings

- This refrigerator must be installed according to the manufacturer's instructions and in compliance with local and national regulations.
- Read this manual carefully before you start to use your refrigerator.
- Always consult the warnings before you perform any maintenance or gas checks.

Repairs/maintenance

- Never open or damage the cooling system. The cooling system is pressurised and contains substances harmful to health.
- Never attempt to repair gas, extractor or electrical parts yourself. They must be repaired by a qualified service engineer. Contact the Customer Service department of Thetford for a list of qualified parties.
- Always switch off the refrigerator before you perform any kind of maintenance or cleaning.

Use

- Never cover the ventilation grills in the walls of a caravan. Good ventilation is essential for the correct working of the absorber system.
- Water in the ventilation grating can result in damage to the refrigerator. Therefore, we advise that you put the winter cover over the ventilation gratings prior to washing your vehicle.
- Never expose the refrigerator to rain.
- Never operate the refrigerator by gas while driving. If a road accident results in fire, there is a risk of explosion.

What to do if...

- You smell gas:
 - close the valve of the gas bottle;
 - extinguish any naked flames;
 - do not switch on any electrical devices or lighting;
 - open the windows and leave the room;
 - contact the Customer Service

department of Thetford.

- You suspect a leak in the cooling system:
 - switch off the refrigerator;
 - extinguish any naked flames;
 - provide sufficient ventilation;
 - contact the Customer Service department of Thetford.

ABOUT YOUR REFRIGERATOR

Your refrigerator has a cold space and a freezer compartment. After starting up the refrigerator, allow it to cool for at least eight hours before placing any food in it.

Cold space

The cooling fins are located on the inside of your refrigerator. The absorption system uses the cooling fins to withdraw heat from the refrigerator. Therefore, never place plastic or paper over the cooling fins. Air must be able to circulate freely through the refrigerator so that heat can be extracted.

Important! Do not cover the cooling fins at the back of the refrigerator with plastic or paper. The refrigerator cools optimally when air is allowed to move freely through the refrigerator.

- To limit frosting on the cooling fins:
 - always cover liquid foods before placing them in the refrigerator;
 - always let hot food cool before placing it in the refrigerator;
 - never keep the refrigerator open longer than necessary.

Fitting racks

Inside your refrigerator there are two or three storage racks. You can adjust the racks to a convenient height by means of a simple click system:

- click the plastic bracket to the right short side of the rack;
- turn the bracket into the horizontal position and insert the rack tipped in a sloping position into the refrigerator;

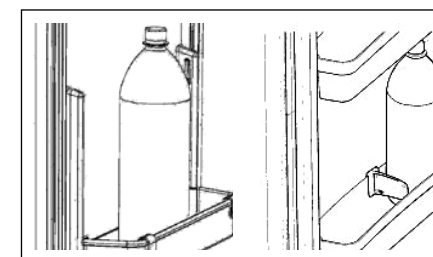
THETFORD N80 REFRIGERATOR

- place the short side without bracket into one of the grooves on the left wall of the refrigerator;
- place the short side with bracket in the corresponding groove on the right wall of the refrigerator;
- turn the bracket downwards to fix it into the groove.

To move a rack, turn the bracket upwards and remove the rack. Place the rack at the required height in the way described above.

Securing products for driving

The fitting racks in your refrigerator have a system for you to secure products while driving. The system consists of a simple click-and-slide plastic strip. To secure products on the rack while driving, push the plastic strip as tightly as you can against the products on the rack. In the storage space on the inside of the refrigerator door, there are two unique Thetford bottle slides (see illustration) The slides prevent bottles from sliding around during driving. Push the slide against the products in the door or place the products between the bottle slide.

**Freezer compartment****Important!**

- The freezer compartment is unsuitable as a means of freezing food, the freezer will maintain the temperature of already frozen food
- Use only drinking water to make ice cubes.
- Do not place any other products in the freezer compartment when you are making ice cubes.

THETFORD N80 REFRIGERATOR

- Water freezes fastest with the thermostat at the highest setting.

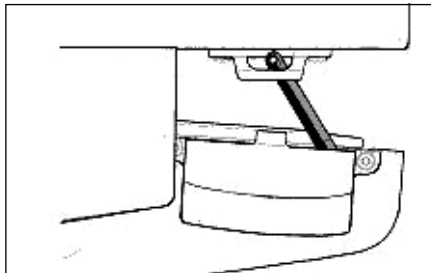
Tip!

- Make ice cubes at night when your refrigerator has more spare capacity.

Door locking mechanism

The refrigerator door has an automatic locking mechanism. The door locks automatically when you press it shut firmly. This automatic locking mechanism also keeps the refrigerator door shut during driving. For some models an additional security device is fitted below the refrigerator. By pushing the locking bar over the pin when the door is closed, you can be sure that the door does not open during your journey.

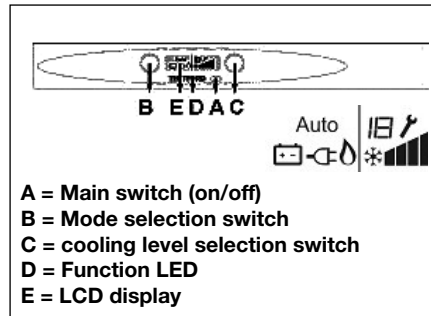
If you are not going to use the refrigerator for a prolonged period of time, you can use the special storage latch of the door locking mechanism (see illustration) to prevent odours. Rotate the hook through 90 degrees and lock it in place using the strike plate.

**MODEL NUMBERS:****Electrical ignition N80E**

- EES (Electric Energy Selection): the 'Electric' version, where the preferred energy source has to be selected manually [no 'Auto' function possible]

SWITCHING ON THE REFRIGERATOR (control panel)

- It is recommended to clean the inside of the refrigerator before you switch it on.
- Let the refrigerator cool for at least eight hours before you place food in it for the first time.

Switching on the refrigerator

1. Open the valve of the gas bottle.
 2. Open the taps of the gas supply.
 3. Press main switch (A). The function LED will turn blue and all symbols on the LCD display will light up.
 4. Use the mode selection switch to select the power supply that you want. The LCD display will show the option you have selected.
 5. Set the desired refrigerating cooling level by means of the cooling level selection switch (C). The LCD display will show the cooling level setting you have selected.
- A. Use the main switch to switch the refrigerator on and off. The function LED will turn blue. The display LCD shows the most recent settings. After 10 seconds the LCD display's backlight will go out. The function LED remains blue.
- B. Press the mode selector switch and the LCD display backlight will show the setting for 10 seconds. Pressing the mode selector switch successive times takes you through the menu in the following sequence: Manual DC (12V), manual gas, manual mains voltage (230V).
- C. Use the cooling level selector switch to control the temperature of the refrigerator. When you press the cooling level selector switch, the LCD backlight will light up and show the currently set temperature. Every time you press the cooling level selector switch again, you set the refrigerator one position cooler. On reaching the coldest

temperature, the system will start again at the warmest temperature setting. Ten seconds after release of the cooling level selector switch, the system will switch off the LCD backlight.

Selecting electrical power manually**Mains voltage (230V):**

The LED warns you whenever insufficient voltage is available or if a fault occurs. If this happens, the LED will start flashing once per second and an error code is shown in the LCD display

When sufficient current is available again, or the fault has been resolved, the LED will emit a steady blue light again.

Direct current (12V):

The LED warns you whenever your vehicle's engine is not running, or if a fault occurs, or if insufficient voltage is available. If this happens, the LED will start flashing once per second and an error code is shown in the LCD display.

Once the engine is running, or the fault has been resolved, or sufficient voltage is available again, the LED will again emit a steady blue light.

Powering with gas

Warning! - Flammable material must be kept away from the rear of the refrigerator.

- For selection of gas type, see the information plate inside your refrigerator.
- For the pressure regulator model, see the information plate inside your refrigerator and the table at the back of this booklet.
- The type of gas container and its location must be in compliance with the most recent regulations. Ensure that the unit is installed in a location with good ventilation and make sure that the ventilation openings in the gas container storage location remain open.
- The changing of the gas container must be done outside in the open air and out of reach of any possible sources of ignition.
- It is prohibited to use gas to power the refrigerator while you are driving.

THETFORD N80 REFRIGERATOR

- It is prohibited to use gas to power the refrigerator in the vicinity of petrol stations.

Selecting gas operation manually

If the flame cannot be lit within 30 seconds, the gas supply will stop and gas mode will be switched off. The LED start flashing every second and an error code is shown in the LCD display.

The gas mode can be reset only if the refrigerator is switched off. If you switch the refrigerator on again and the gas mode is still not working, the LED of the manual gas mode will flash to indicate that gas is unavailable and an error code is shown in the LCD display.

Important! It is prohibited to use gas to power the refrigerator while you are driving. If a road accident results in a fire, there is a danger of explosion. It is prohibited to use gas to power the refrigerator in the vicinity of petrol stations. If it takes longer than 15 minutes to refuel your vehicle, you should switch the refrigerator off using the main switch (A).

Switching off the refrigerator

- Push the main switch (A).
- The blue LED will go out.
- The refrigerator is now completely switched off.
- Use the special storage latch on the door locking mechanism to fixate the open door. This prevents unpleasant odours and mould in the refrigerator.

MAINTENANCE

Regular maintenance is necessary to ensure the correct functioning of your refrigerator.

Cleaning

Tip! A good time to clean your refrigerator is straight after you have defrosted it.

- Clean the refrigerator with a soft cloth and mild detergent.
- Dust the refrigerator with a soft, moistened cloth.

THETFORD N80 REFRIGERATOR

- Use a brush or soft cloth to remove once a year any dust from the condenser at the inside of the refrigerator.

Important! - Do not use soap or aggressive detergents that are abrasive or soda-based.

- The removable interior components of the refrigerator are not dishwasher proof.

Defrosting

Frost will gradually build up on the condenser of the refrigerator. You should defrost the refrigerator as soon as the frost layer is about 3 mm thick. Frost reduces the refrigerating capacity and life of your refrigerator.

- Remove the ice cube tray and all food.
- Switch off the refrigerator.
- Leave the refrigerator door open.
- Place dry towels in the refrigerator to absorb the water.
- Place trays containing hot water in the freezer compartment.
- After defrosting (when the freezer compartment and condenser are frost-free), remove the towels and the water trays and use a cloth to dry off the refrigerator.
- Switch the refrigerator on again in the way described in section 4.1 ("Igniting and starting your refrigerator").

Important! - Do not use force or sharp objects to remove frost.

- Do not try to accelerate defrosting by using (for example) a hair dryer.

Door locking mechanism

Frost will form in the refrigerator if the door is not closed properly. To determine whether the door closes properly, close the door with a piece of paper between the door and the refrigerator. Pull at the piece of paper. If you feel resistance, the refrigerator door closes properly. If you feel no resistance, the door does not close properly. Perform this test regularly on all four sides of the refrigerator door.

If you find that the door does not close properly, check whether the door locking

mechanism keeps the door properly shut.

Winter operation

If you use the refrigerator when the outdoor temperature is below 8°C, install the Thetford vent winter/storage cover on the ventilation grills. The cover protects your refrigerator from excessively cold air. The winter cover is a refrigerator accessory obtainable from your caravan dealer.

Tip! It is advisable to use the winter/storage cover if you are not going to use the vehicle for a long period of time.

IMPORTANT; DO NOT USE THE WINTER/STORAGE COVER IN TEMPERATURES GREATER THAN 8°C AS THIS CAN DAMAGE THE COOLING UNIT AT THE REAR OF THE FRIDGE. Remove the covers and re-fit when placing the vehicle back into storage.

Maintenance of gas equipment

A **qualified service engineer** must maintain and inspect gas and electrical equipment. It is advisable to have this maintenance work performed by a customer service centre. Contact the Customer Service department of Thetford for a list of qualified parties.

Important! European laws covering gas appliances and extractors prescribe observance of the following rules (which are the user's responsibility):

- appliances that run on liquid gas must be inspected before being used for the first time and every year thereafter.
- the gas burner must be cleaned at least once a year or more frequently if necessary.
- If a gas hose is used, it must be checked annually. This hose has a limited life and, thus, must be regularly replaced. Check the hose regularly for cracks, splits and ageing. If in doubt, replace the hose. Pay attention to the maximum life of the hose and replace it in time, as advised by the manufacturer or in conformance with local regulations.
- For replacement, a gas hose approved in accordance with the local regulations must be used. Position the hose so that it can rotate, is not kinked, and will allow

THETFORD N80 REFRIGERATOR

- Due to the limited life of the gas hose, it must be installed so that replacement is possible.

Maintenance checklist

This refrigerator will give you many years of trouble-free use if you simply run through the following checklist regularly:

- keep the refrigerator clean (see section 7.1 of the user instruction manual, "Cleaning");
- defrost the refrigerator as often as is necessary (see section 7.2 of the user instruction manual, "Defrosting");
- check the door closing mechanism regularly (see section 7.3 of the user instruction manual, "Door locking mechanism");
- make sure that the ventilation grills are not blocked;
- Regularly clean the ventilation grills.

Vent screen

The vent has a vent screen to prevent bugs from entering the combustion area of the refrigerators. These vents need to be cleaned regularly to insure a good airflow. When the refrigerator performs poor because of external circumstances such as extreme ambient temperatures, the vents can be removed to improve the airflow and improve the cooling performance of the refrigerators.

Storage

If you do not expect to use your refrigerator for a lengthy period, carry out the following actions:

- Remove all food
- Switch off the refrigerator
- Clean the refrigerator as described in Section 7.1 'Cleaning'
- Shut off the gas tap to the refrigerator
- Leave the door of the refrigerator ajar using the special door closure hook (storage position)
- Place the winter protection on the ventilation grill.

Troubleshooting

If your refrigerator does not refrigerate properly or will not start, run through the following checklist. If this fails to solve the problem, please contact the Customer Service Department in your country (see the addresses at the back of this manual).

- Check whether you have followed the instructions in chapters 4, 5 or 6 of the user instruction manual ("Switching on the refrigerator").
- Check whether the refrigerator is on a level surface.
- Check whether the refrigerator can be used with an available energy source.

THETFORD N80 REFRIGERATOR

Possible cause	Action you can take
Problem: refrigerator will not work on gas	
a) Gas bottle is empty.	a) Replace the gas bottle.
b) Valve of the gas bottle or one of the shut-off valves is closed.	b) Open the valve of the gas bottle or shut-off valve(s).
Problem: refrigerator will not work on 12V DC	
a) 12V fuse is defective.	a) Fit a new fuse (Camper → fuse box of camper. Car → fuse box of car)
b) Battery is empty.	b) Test the battery and charge it.
Problem: refrigerator will not refrigerate sufficiently	
a) Insufficient ventilation for the refrigerator.	a) Check whether the ventilation gratings are covered.
b) Thermostat set too low	b) Increase the setting of the thermostat
c) Too much ice on the condenser.	c) Check whether the refrigerator door shuts properly and defrost the refrigerator.
d) Too much hot food stored simultaneously.	d) Let the food cool off first.
e) Gas burner is dirty.	e) Have the gas burner cleaned.
f) Door does not shut properly.	f) Check the door closing mechanism.

Control panel diagnostics

Refrigerators with a LCD control panel have a special diagnostics area which displays an error code if there is a fault.

- **Fault 1:** AC heater current is measured to be 75% below nominal current.

Action: Contact your dealer or a Thetford Service Centre.

- **Fault 2:** DC heater current is measured to be 75% below nominal current.

Action: Contact your dealer or a Thetford Service Centre.

- **Fault 3:** AC heater is ON when it should be OFF.

Action: Contact your dealer or a Thetford Service Centre.

- **Fault 4:** DC heater is ON when it should be OFF.

Action: Contact your dealer or a Thetford Service Centre.

- **Fault 5:** Senses flame when gas should be OFF.

Action: Contact your dealer or a Thetford Service Centre.

- **Fault 6:** Senses gas output terminal ON when should be OFF.

Action: Contact your dealer or a Thetford Service Centre.

- **Fault 7:** Senses gas output terminal OFF when should be ON.

Action: Contact your dealer or a Thetford Service Centre.

THETFORD N80 REFRIGERATOR

- **Fault 8:** AC mains supply is 20% below nominal.

Action: Your controls are in manual AC mode, but there is no power available. Check if you plugged in the 230V connection, if so the voltage supply on the 230V connection is to low, contact the power supplier.

- **Fault 9:** Gas lockout because flame fails to ignite after 30 seconds.

Action: Your controls are in manual gas mode, but the flame fails to ignite. Check if your gas cylinder is empty or if one of the shut-off valves is closed. Select another energy source. Reset the fridge 3 or 4 times in gas-mode until flame ignites. Contact your dealer or a Thetford Service Centre if problem isn't resolved.

- **Fault 10:** No "engine running" signal is present and control is in Manual DC mode.

Action: Your controls are in manual DC mode and the engine of your vehicle is not running. The refrigerator can only cool on 12V when the engine of your vehicle is running. Start the engine or select a different energy mode.

- **Fault 11:** No energy source is available and control is in AUTO mode.

Action: Your controls are in AUTO mode, but no energy source is available. Start the engine, connect the 230V supply or open the gas supply and reset the refrigerator by turning it of and on again.

- **Fault 12:** Contact your dealer or a Thetford Service Centre.

- **Fault 13:** Thermistor fails; control automatically switches to Backup mode (BOS).

Action: Check if the connector above the fin on the inside of the cabinet is correctly plugged in. If so contact your dealer or a Thetford Service Centre.

- **Fault 14:** Display Board and Power board lost communication with each other.

Action: Contact your dealer or a Thetford Service Centre.

GUARANTEE, CUSTOMER SERVICE AND LIABILITY**Guarantee**

Thetford B.V offers the end users of Thetford refrigerators a three-year guarantee.

In the case of defects within the guarantee period, Thetford will repair or replace the product. In this instance, the costs of replacement, labour costs for the replacement of defective components and/or the costs of the parts themselves will be paid by Thetford.

1. To make a claim under this guarantee, the user must take the product to a Service Centre recognised by Thetford. The claim will be assessed here.
2. If components are replaced during repair under guarantee, these become the property of Thetford.
3. This guarantee does not prejudice current consumer protection law.
4. This guarantee is not valid in the case of products that are for, or are used for, commercial purposes.
5. No claim under the guarantee will be accepted in the following circumstances:
 - the product has been improperly used or the instructions in the manual have not been followed
 - the product has not been installed in accordance with the instructions
 - alterations have been made to the product
 - the product has been repaired by a Service Centre not recognised by Thetford
 - the serial number or product code have been changed
 - the product has been damaged by circumstances outside the normal use of the product

THETFORD N80 REFRIGERATOR

Liability

Thetford is not liable for loss and/or damage caused directly or indirectly by use of the refrigerator.

ENVIRONMENT

Refrigerators manufactured by Thetford B.V. are PCB-free. Most of the refrigerator is recyclable.

If the refrigerator has reached the end of its service life, contact your local waste processing company to dispose of the refrigerator in an environment-friendly way.

Energy-saving tips

- Install the refrigerator and switch it on about 12 hours before you put anything in it.
- Do not expose the refrigerator to direct sunlight.
- At an ambient temperature of approximately 25°C you can let the refrigerator operate at the middle position of the thermostat (both with gas operation and mains voltage).
- Store foods that have been pre-cooled.
- Open the door only briefly when you take things out of the refrigerator.
- Defrost the refrigerator regularly.

SMEV MINI GRILL & HOT PLATE

SMEV MINI GRILL**USE THE APPLIANCE ONLY IN A WELL VENTILATED SPACE.**

The ventilation openings must remain open when the appliances are operating.

IGNITION OF THE APPLIANCE**1. MANUAL IGNITION: OVEN - GRILL**

- Push in control knob, slightly turn to ignition position (fig 1) light burner with match or lighter keeping knob pushed in the knob for 5 - 10 sec.
- Release knob and turn it to required position.

2 AUTOMATIC IGNITION: OVEN - GRILL

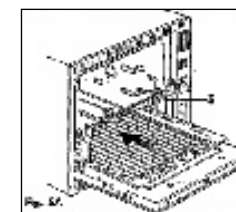
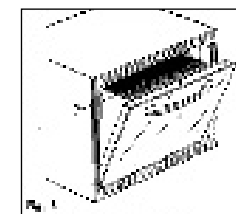
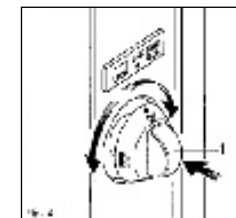
- For igniting oven or grill, open oven door completely
- Push In control knob, slightly turn to ignition position keeping it pushed in for 5 - 10sec.
- Release knob and turn it to designed position.

N.B. Oven and grill burners will not light, if door is not completely open.

3) IGNITION OF APPLIANCES WITH THERMOSTAT

Proceed according to paragraphs 1 and 2, with or without electronic ignition. The ignition position is obtained by turning control knob on a position between 1 and 6 for the oven and grill position (see symbol ▼▼▼▼)

For ovens with thermostat the different positions of the knob correspond to the following temperatures in °C of the oven



POS	1	2	3	4	5	6
TEMP	130	160	180	200	220	240

IMPORTANT If ignition is unsuccessful, repeat operation from beginning; if necessary, have the appliance checked if a gas and/or electricity failure in the appliance. If appliance absolutely does not work, close gas inlet tap and contact retailer. Before using oven for the first time, let it run at maximum temperature for the duration of 1/2 hour without foodstuffs inside:

“USE GLOVES WHEN HANDLING HOT ELEMENTS!”

In the event of the burner flames being accidentally extinguished, turn off the burner control and do not attempt re-ignite the burner for at least 1 min.

OPERATION OF THE GRILL

- a) Pull out heat protection plate “P” (fig. 5)
- b) Light grill burner.
- c) Keep oven door half-open (fig. 5).

USE OF THE ROTISSERIE

Insert dripping-pan with the rotisserie installed as indicated in (fig 5a). Push in the appropriate button (fig 4a) in order to set going the rotisserie motor.

Use of the Grill

- a) Slide out heat protection plate “P” (fig. 5)
- b) Light grill burner
- c) Keep oven door in half-open position (fig. 5)

Use with Oven:

- a) Light oven burner
- b) Position control knob on desired temperature
- c) Close oven door.

SMEV HOTPLATE

USE THE APPLIANCE ONLY IN A WELL VENTILATED SPACE.

The ventilation openings must remain open when the appliances are operating.

IGNITION OF THE APPLIANCE

1) MANUAL IGNITION HOTPLATE

- a) Push in control knob, slightly turn to ignition position (big flame).
Light burner with match or lighter keeping knob pushed in for 5 – 10 sec.
- b) Release knob and turn it to the required position (big or small flame).

2) AUTOMATIC IGNITION: HOTPLATE

- a) Push in control knob, slightly turn to ignition position (big flame).
Light the burner by pressing the ignition key and holding down the knob for 5- 10 seconds..
- b) Release knob and turn it to required position.

IMPORTANT

If ignition is unsuccessful, repeat operation from beginning; if necessary have the appliance checked if a gas and/or electricity failure in the appliance. If appliance absolutely does not work, close gas inlet tap and contact retailer. Pans of a diameter ranging from 10 to 22 cm may be used.

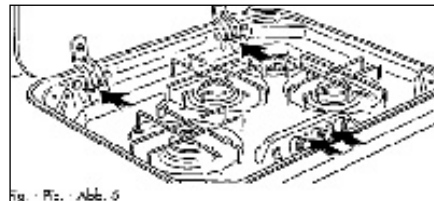
USE GLOVES WHEN HANDLING HOT ELEMENTS

Never lay Pyrex lids or other items on the burners. Cooking facilities must not be used to heat the environment.

The slots indicated in fig. 5 must be kept open.

CLEANING INSTRUCTIONS

Do not use chemical or abrasive detergents.



NOTES

NOTES