



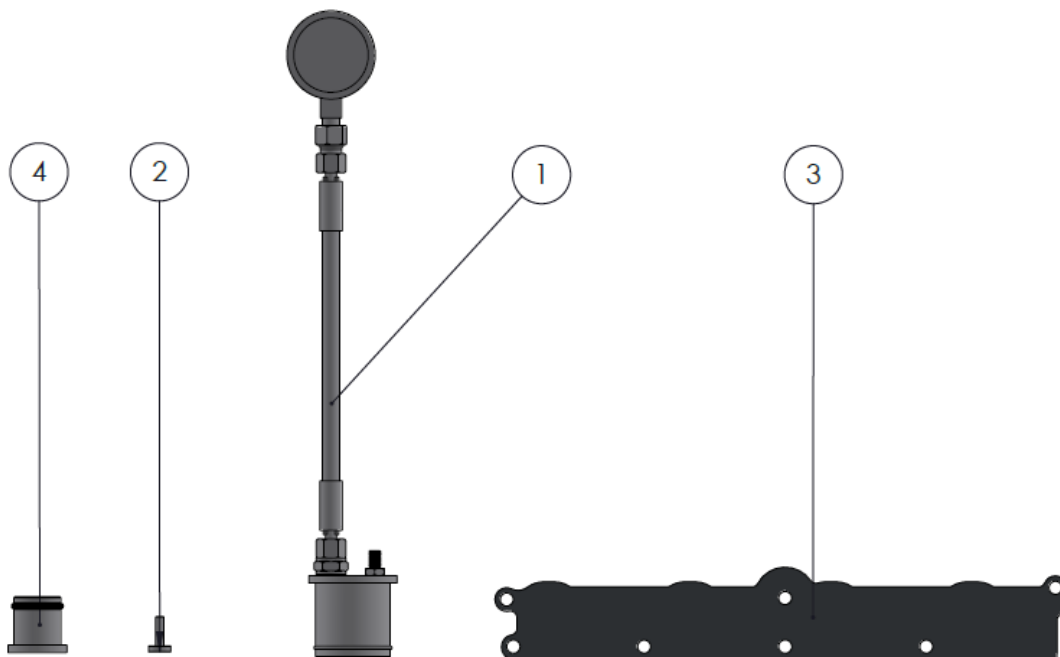
DATE: 2023-07-21

MODEL: SR10

BOOST TESTING KIT - EX0390

PRIORITY – LOW (INFORMATION)

Testing the tightness of the boost system just got easier with our new testing kit EX0390



- EX0390 kit consists of –
1. Turbo outlet hose bung (accommodating valve for inflation and pressure gauge)
 2. Blow-off actuator hose bung
 3. Inlet manifold blanking flange
 4. Blow-off valve hose bung

How it works –

Remove all inlet manifold bolts and slide blanking plate between cylinder head and inlet manifold. Use original bolts to mount inlet manifold back in place creating an airtight connection.

Remove Turbo outlet hose from turbo charger and insert Turbo outlet hose bung. Secure with the original clamp.

Remove the Blow-off valve and replace it with provided bung. Secure with the original clamp

Remove the blow off valve actuator hose and replace it with provided bung. Secure with the original clamp

Use standard tyre inflator to bring the pressure inside the system to 2.5Bar. Avoid over pressurizing.

Use the pressure gauge to see if any leaks are present and your hearing to locate them.

For parts supply please contact: stores@radicalmotorsport.com

For any further questions contact technical@radicalmotorsport.com