

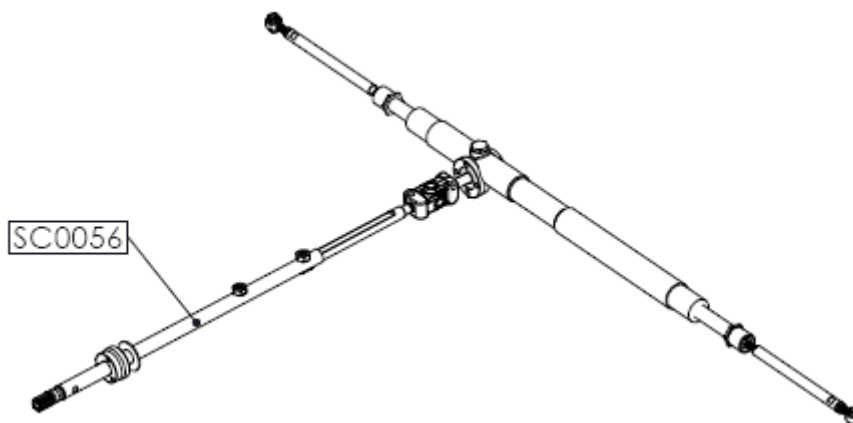


DATE: 2023-06-09

MODEL: SR3/SR10

STEERING COLUMN TUBE**PRIORITY – HIGH (ACTION)**

Following 2 unexpected issues Radical has investigated a batch of steering columns fitted to older SR3 and SR8 cars. Small manufacturing tolerance issues were found. Out of an abundance of caution Radical suggests to replace the part. The part has not been used on production cars since 2021.

**Cars affected:**

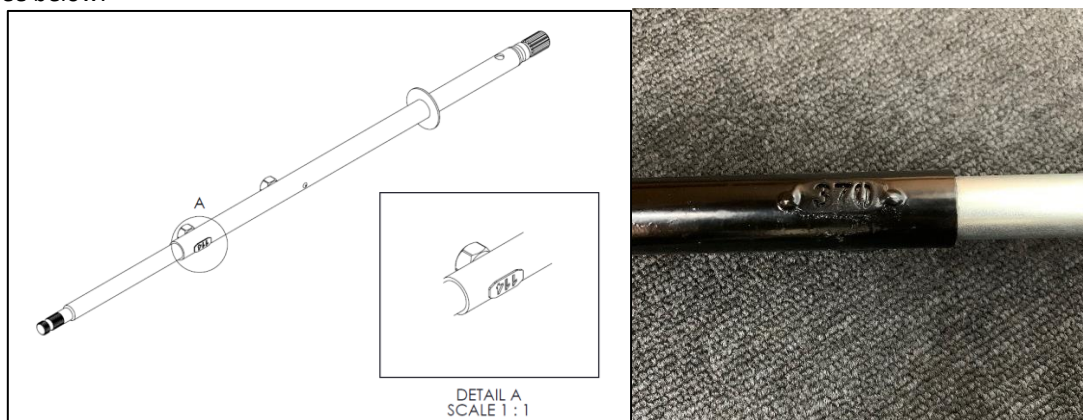
SR3-1205 to SR3-1300

SR8-269 to SR8-273

Replacement parts are being sent to original dealers of the affected cars.

Component:

Steering column SC0056. The new parts can be identified by having a physical batch plate now positioned on the lower portion of the shaft, see below:

**Recommended procedure to replace part:**

- 1 – centre the steering position
 - 2 – remove steering wheel, remove lower end of steering column from universal joint
 - 3 – replace steering column and reattach universal joint being sure to check steering is still straight
- Approximate time required 20mins

For parts supply please contact: stores@radicalsportscars.com

For any further questions contact technical@radicalmotorsport.com